

ACCELERATOR CONTROL, FUEL & EXHAUST SYSTEMS

GI

SECTION FE

MA

EM

LC

MODIFICATION NOTICE:

Fuel system and exhaust system information for the KA24DE engine model has been added. For information not included here, refer to the KA24E engine model.

EC

FE

CONTENTS

CL

<input type="checkbox"/> KA24DE <input type="checkbox"/>	EXHAUST SYSTEM	3
<input type="checkbox"/>	FUEL SYSTEM	2

MT

AT

TF

PD

FA

RA

BR

ST

RS

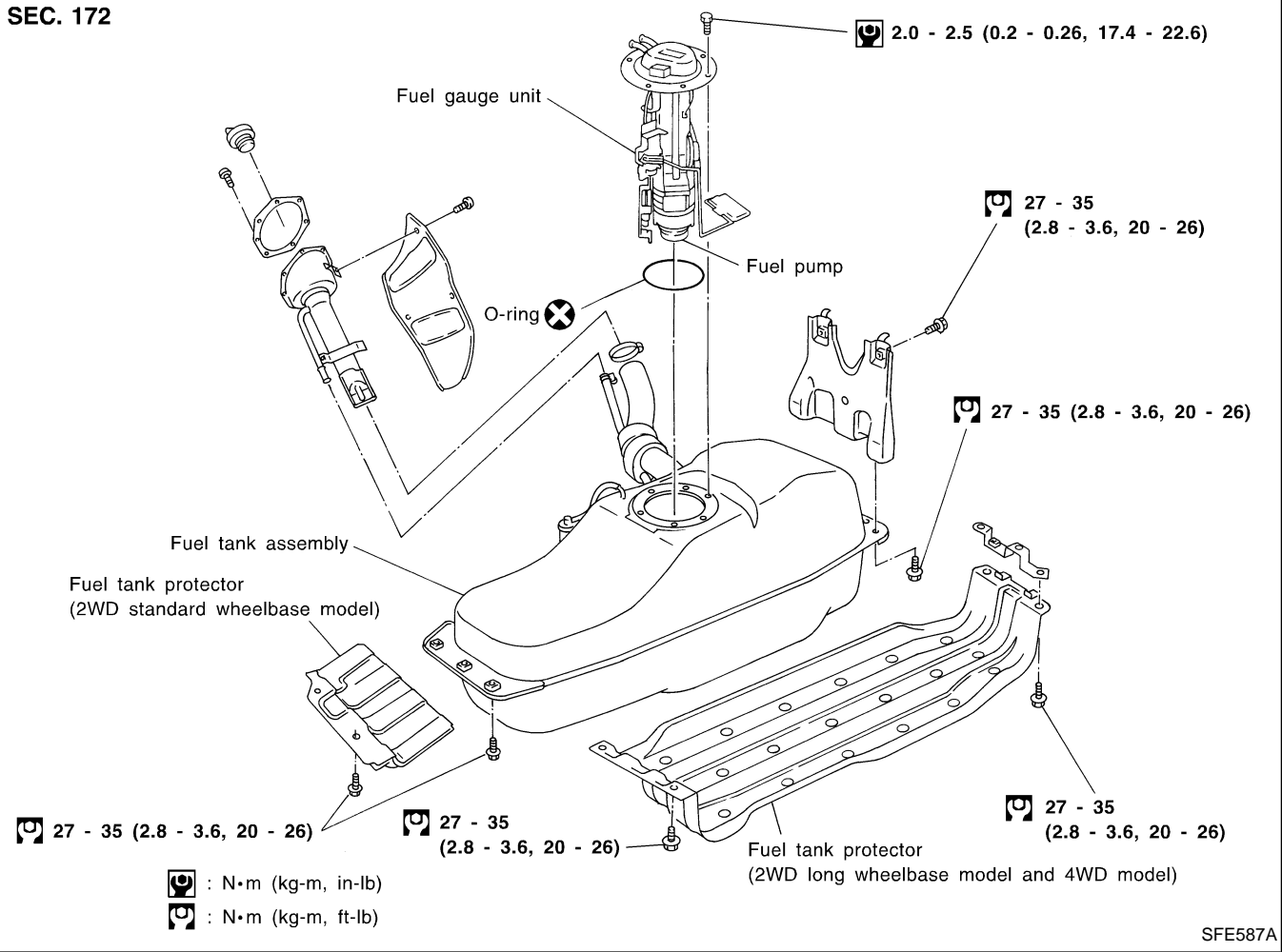
BT

HA

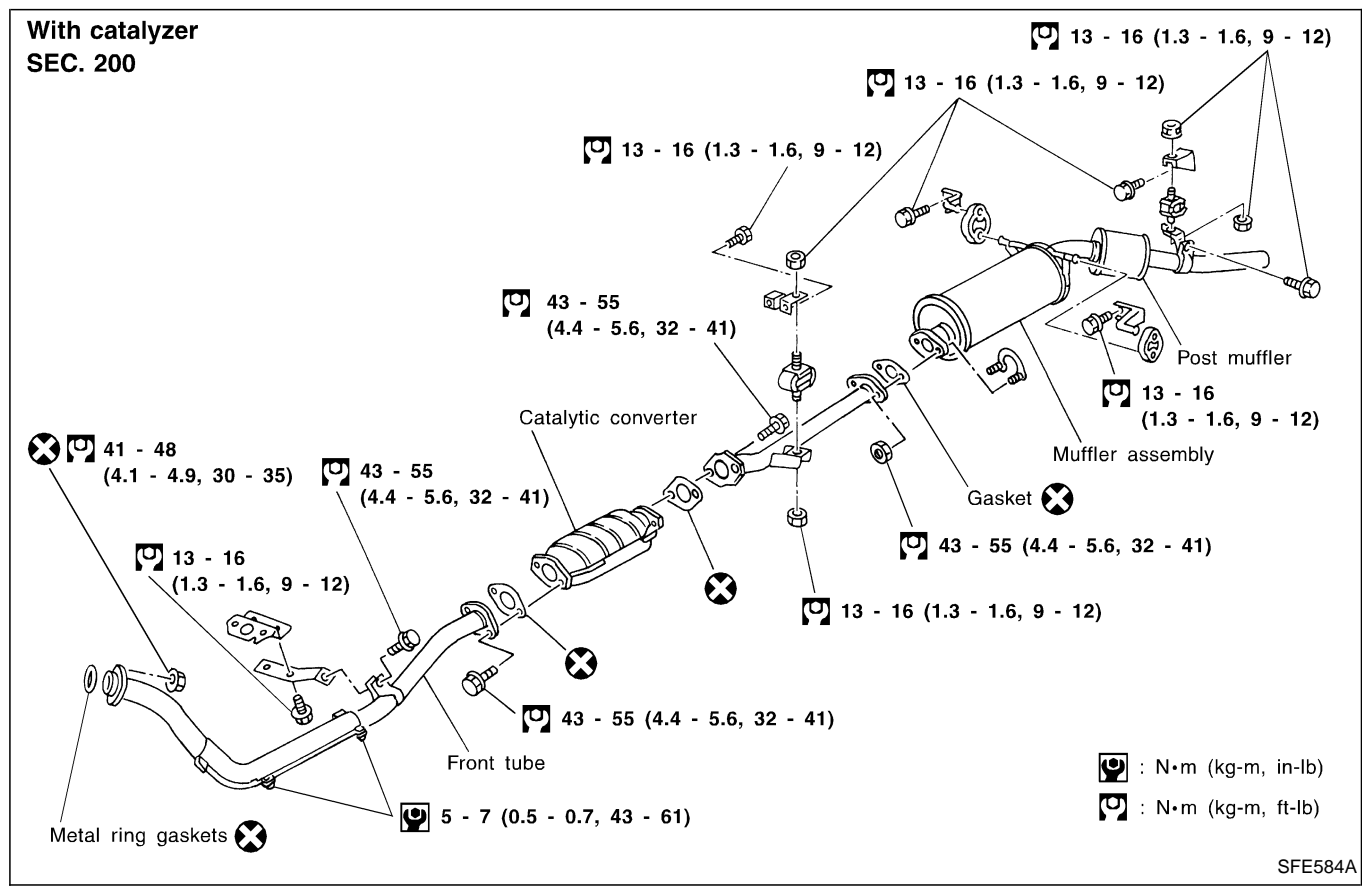
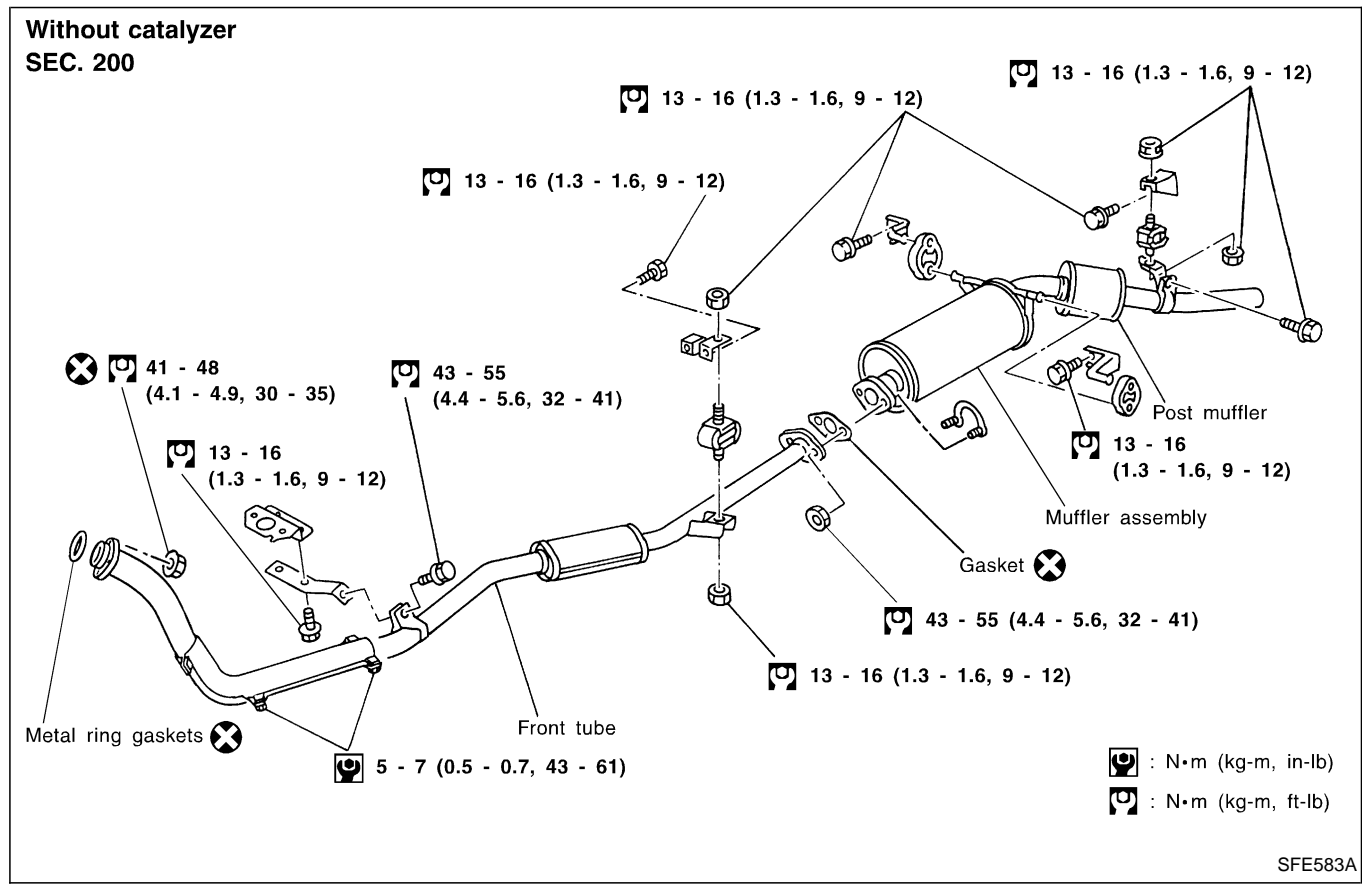
EL

IDX

SEC. 172

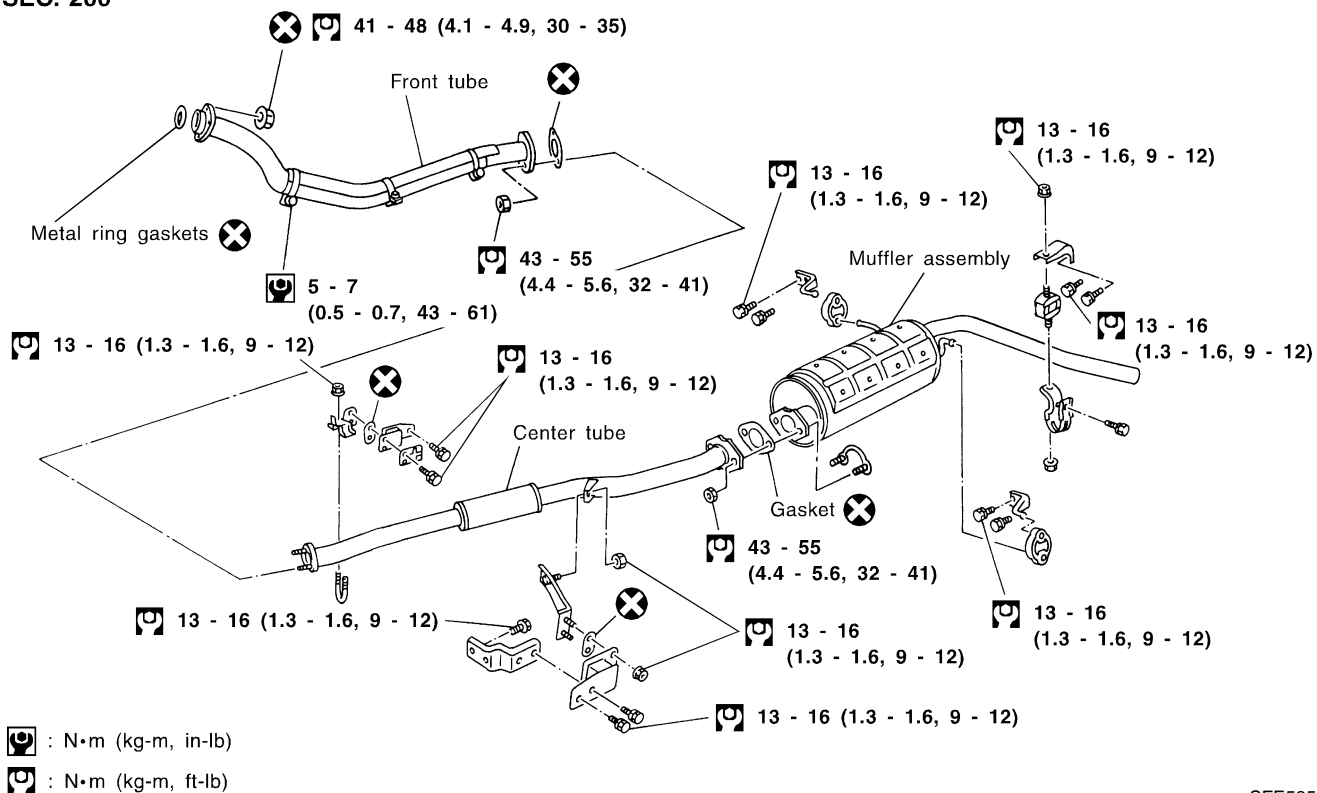


2WD MODEL

GI
MA
EM
LC
EC
FE
CL
MT
AT
TF
PD
FA
RA
BR
ST
RS
BT
HA
EL
IDX

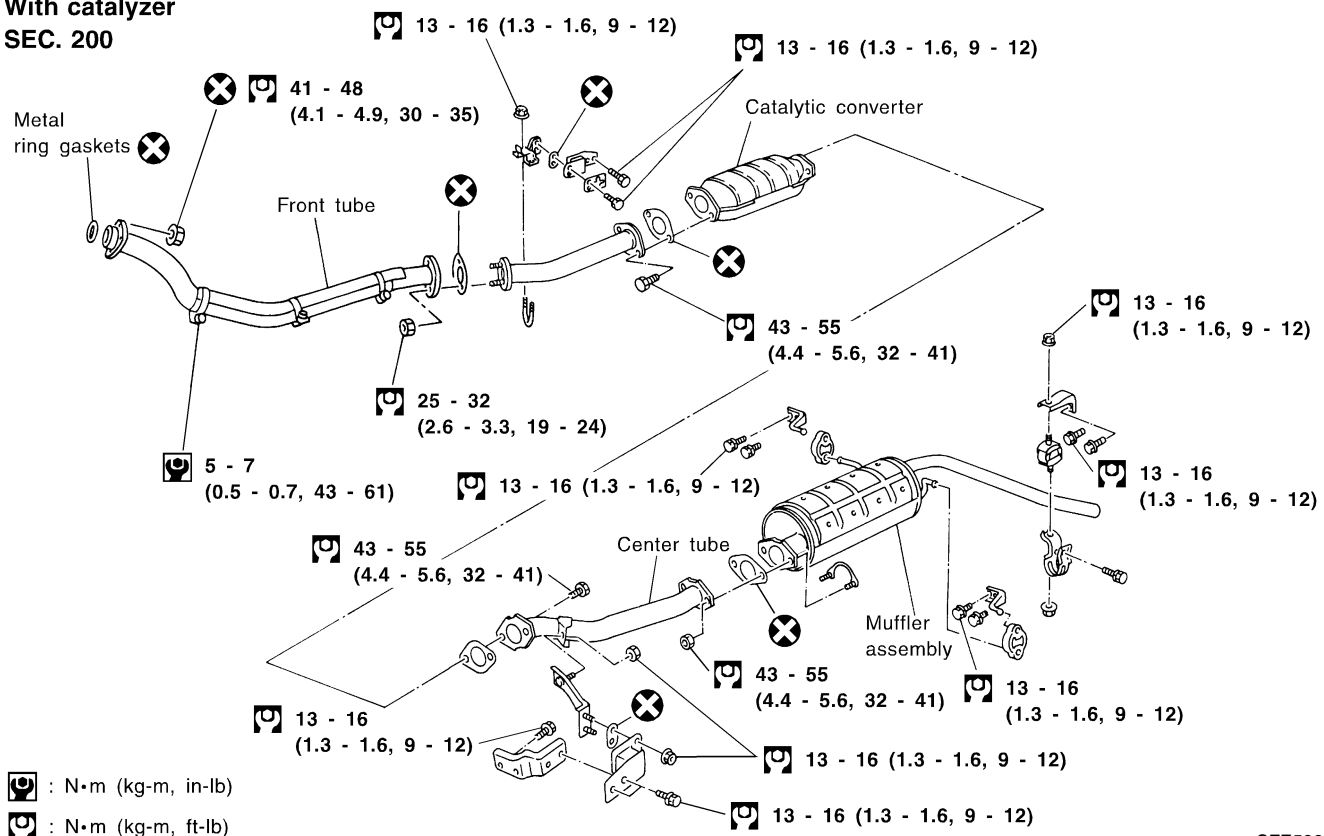
4WD MODEL

Without catalyzer SEC. 200



SFE585A

With catalyzer SEC. 200



SFE586A