

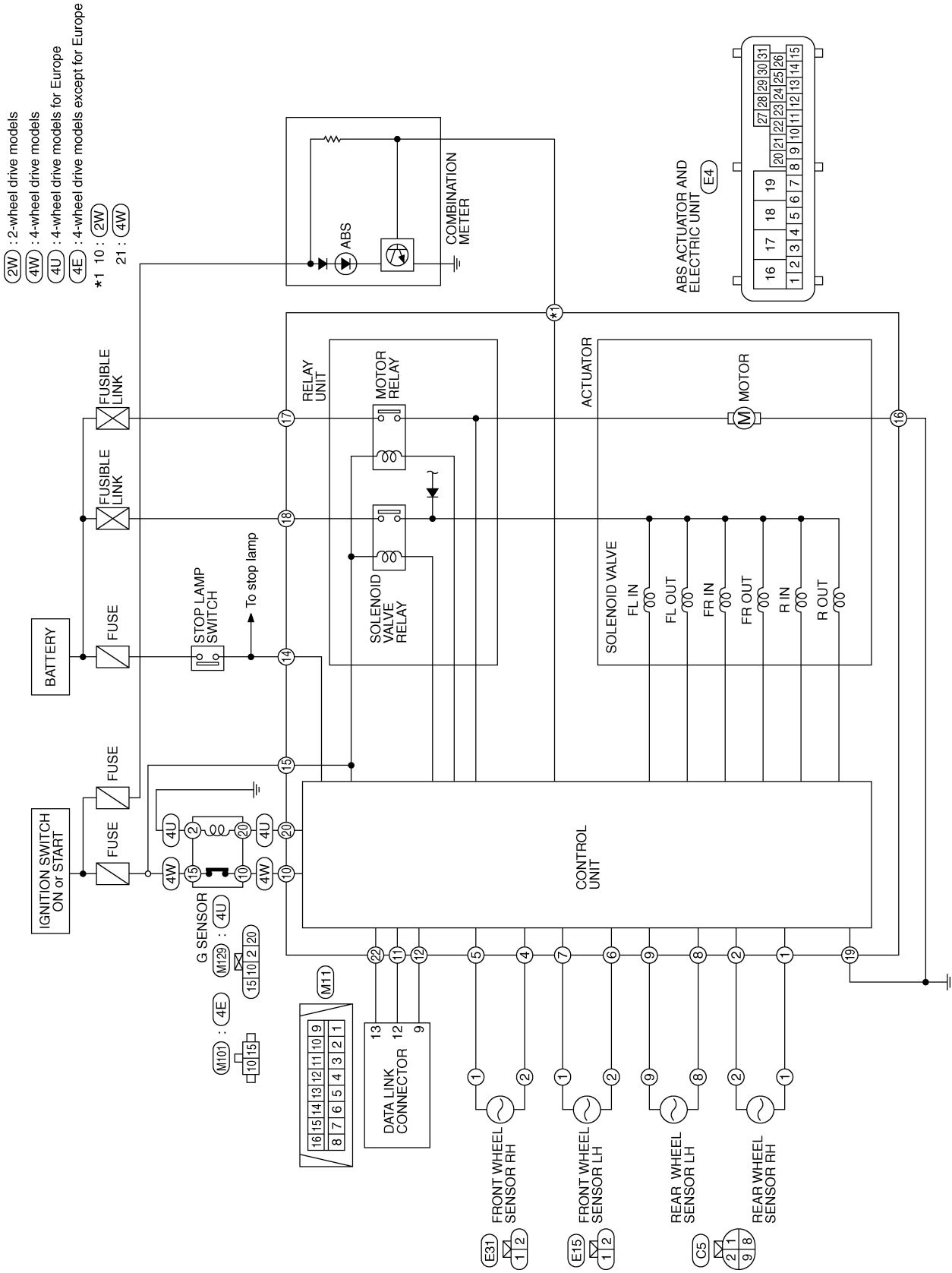
**SECTION BR**

**MODIFICATION NOTICE:**  
Wiring diagrams have been changed.

**CONTENTS**

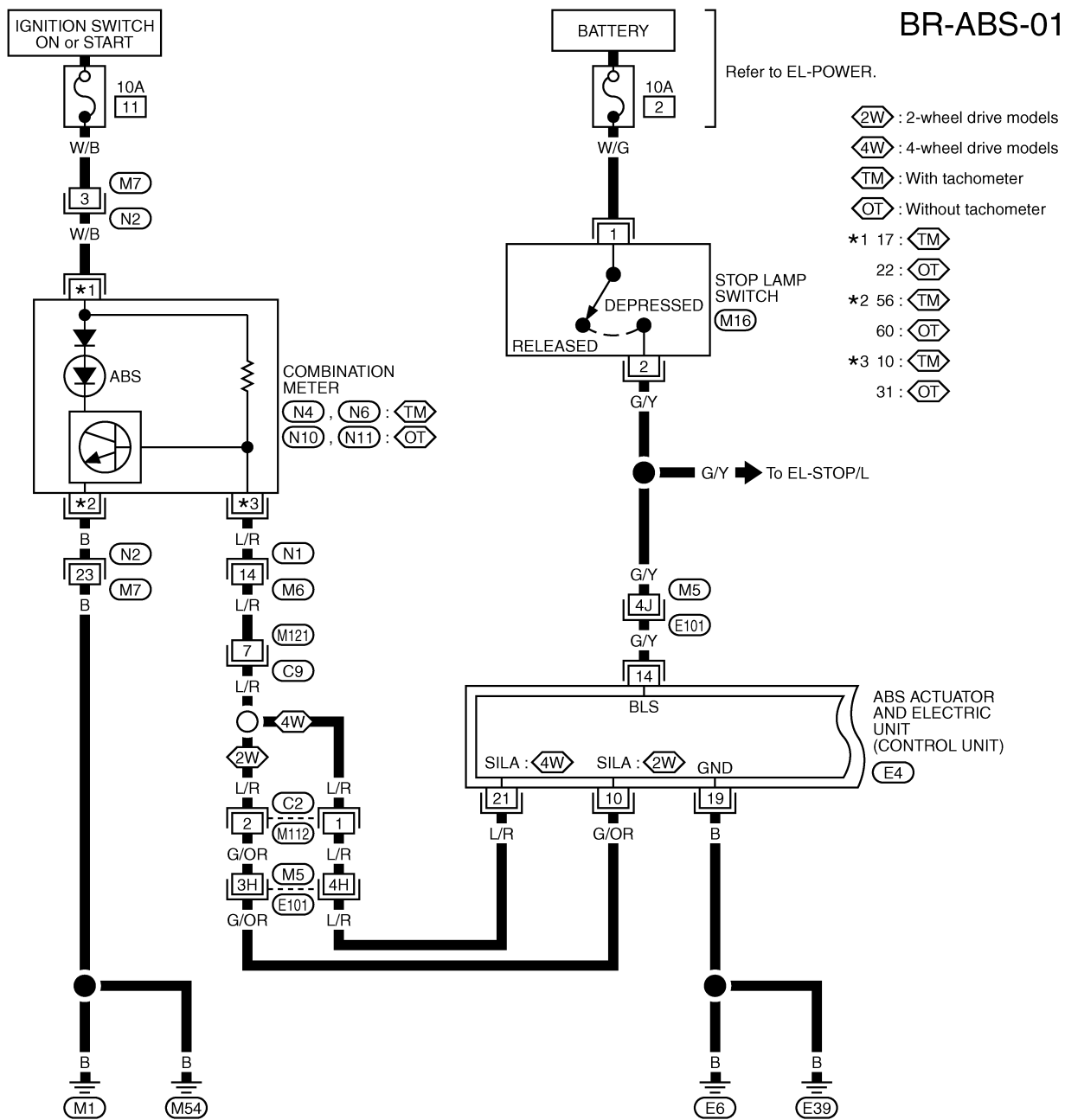
**TROUBLE DIAGNOSES .....2**

# TROUBLE DIAGNOSES

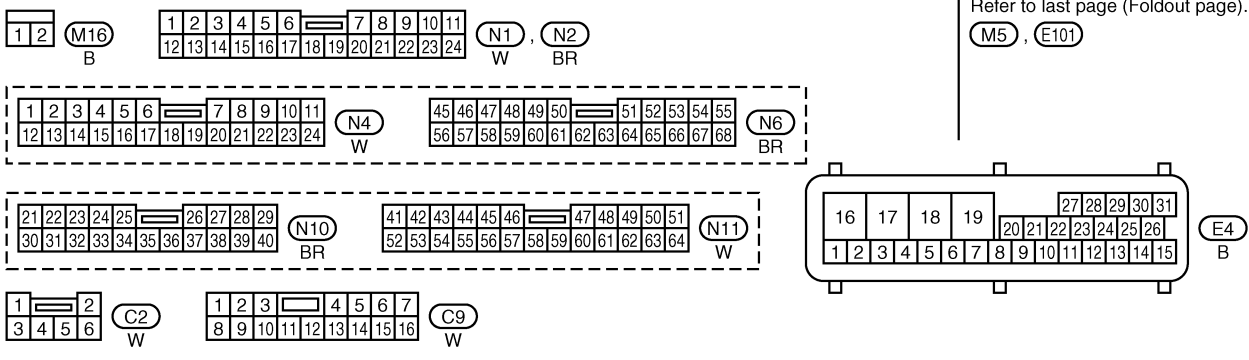


# TROUBLE DIAGNOSES

## BR-ABS-01

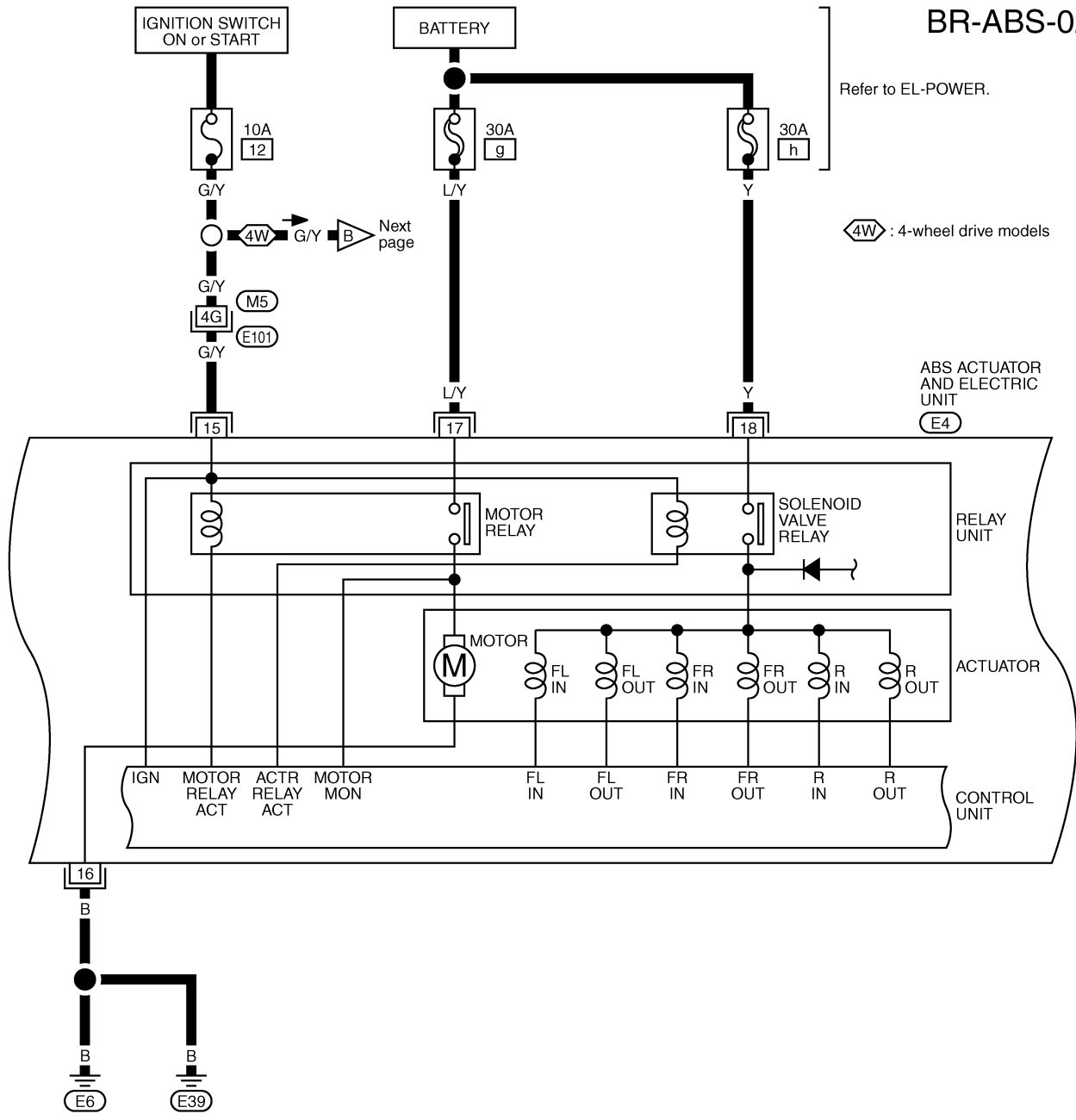


GI  
 MA  
 EM  
 LC  
 EC  
 FE  
 CL  
 MT  
 AT  
 TF  
 PD  
 FA  
 RA  
**BR**  
 ST  
 RS  
 BT  
 HA  
 EL  
 IDX



# TROUBLE DIAGNOSES

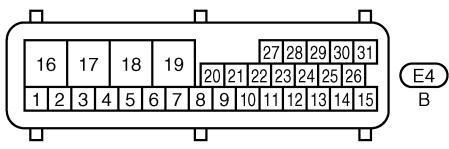
## BR-ABS-02



Refer to EL-POWER.

4W : 4-wheel drive models

ABS ACTUATOR AND ELECTRIC UNIT  
E4

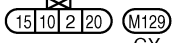
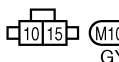
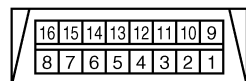
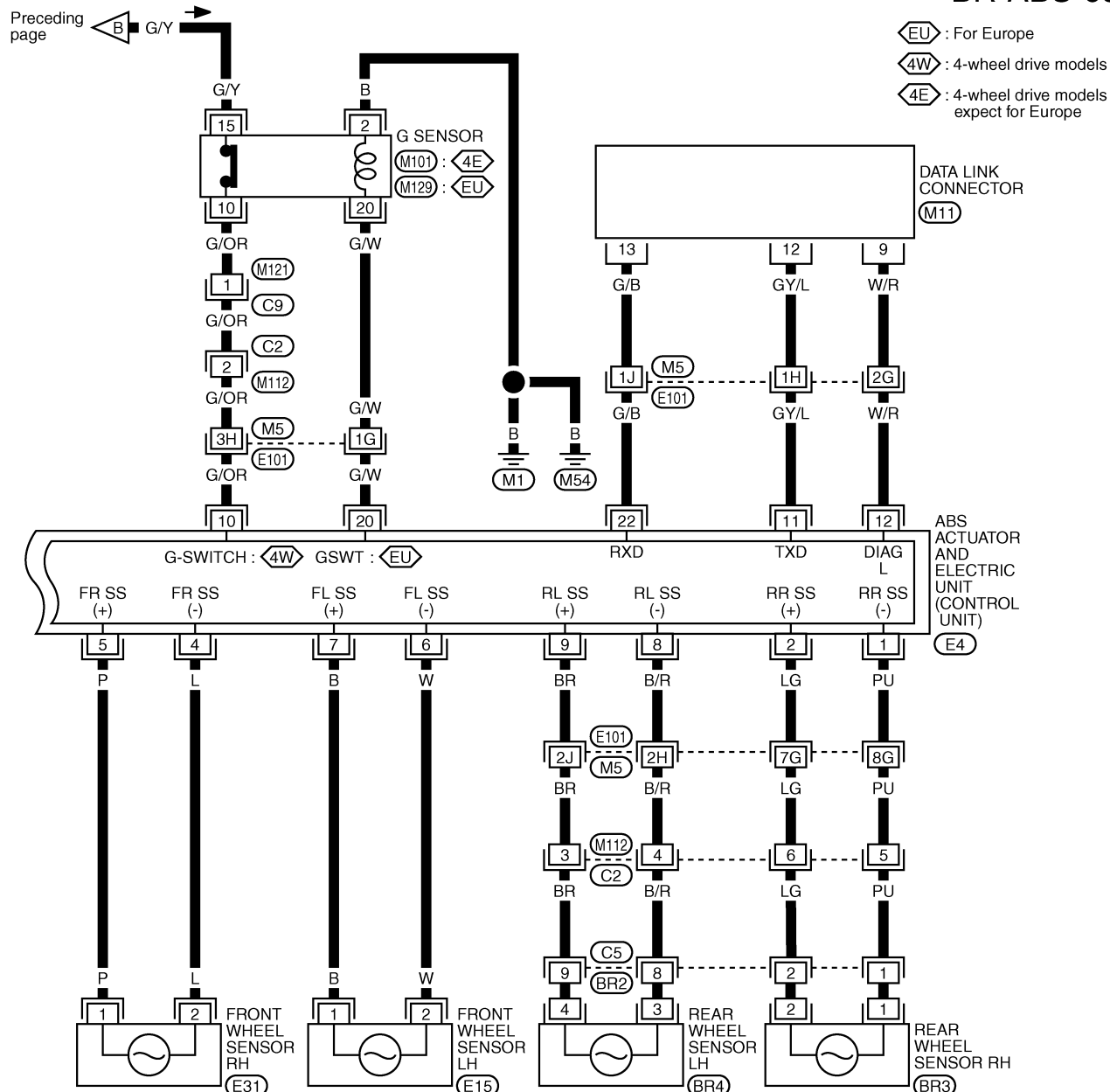


Refer to last page (Foldout page).

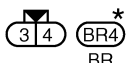
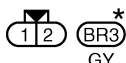
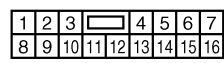
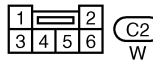
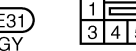
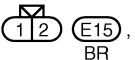
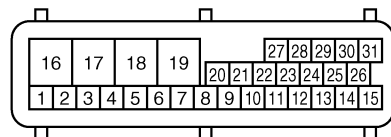
M5, E101

# TROUBLE DIAGNOSES

## BR-ABS-03



Refer to last page (Foldout page).  
 (M5), (E101)



\*: This connector is not shown in "HARNESS LAYOUT", EL section.

GI  
MA  
EM  
LC  
EC  
FE  
CL  
MT  
AT  
TF  
PD  
FA  
RA  
**BR**  
ST  
RS  
BT  
HA  
EL  
IDX