

SECTION GI

MA

EM

LC

EC

FE

CL

MODIFICATION NOTICE FOR MODELS FOR EUROPE:

- Cyclone air cleaner has been added.
- The quick glow system has been changed on models for Turkey.
- The EGR system has been discontinued on models for Turkey.

MT

AT

TF

PD

FA

RA

BR

ST

RS

BT

HA

EL

IDX

CONTENTS

<p>CONSULT-II CHECKING SYSTEM2</p> <p> Function and System Application2</p> <p> Nickel Metal Hydride Battery Replacement.....2</p> <p> Checking Equipment.....3</p> <p> CONSULT-II Data Link Connector (DLC) Circuit3</p>	<p>IDENTIFICATION INFORMATION.....4</p> <p> Model Variation4</p> <p> Identification Number.....5</p> <p> Wheels and Tires.....7</p>
--	---

This modification has been included in production starting with the following vehicle identification numbers (Chassis number):

For Brazil, Venezuela, Ecuador and Argentina

- ⚙ JN1CGUD221A701101 ⚙
- ⚙ JN1CJUD221A701101 ⚙

CONSULT-II CHECKING SYSTEM

Function and System Application

Diagnostic test mode	Function	ABS	AIR BAG	NATS*
Self-diagnostic results	Self-diagnostic results can be read and erased quickly.	x	x	x
Trouble diagnostic record	Current self-diagnostic results and all trouble diagnostic records previously stored can be read.	—	x	—
ECU discriminated No.	Classification number of a replacement ECU can be read to prevent an incorrect ECU from being installed.	—	x	—
Data monitor	Input/Output data in the ECU (ECM) can be read.	x	—	—
Active test	Diagnostic Test Mode in which CONSULT-II drives some actuators apart from the ECMs and also shifts some parameters in a specified range.	x	—	—
ECU (ECM) part number	ECU (ECM) part number can be read.	x	—	—
Control unit initialization	All registered ignition key IDs in NATS components can be initialized and new IDs can be registered.	—	—	x
Self-function check	ECM checks its own NATS communication interface.	—	—	x

x: Applicable

*: NATS (Nissan Anti-Theft System)

Nickel Metal Hydride Battery Replacement

CONSULT-II contains a nickel metal hydride battery. When replacing the battery obey the following:

WARNING:

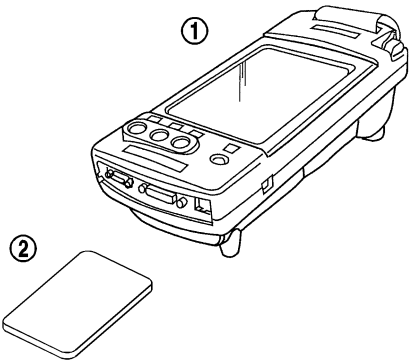
Replace the nickel metal hydride battery with Genuine CONSULT-II battery only. Use of another battery may present a risk of fire or explosion. The battery may present a fire or chemical burn hazard if mistreated. Do not recharge, disassemble or dispose of in fire.

Keep the battery out of reach of children and discard used battery conforming to the local regulations.

CONSULT-II CHECKING SYSTEM

Checking Equipment

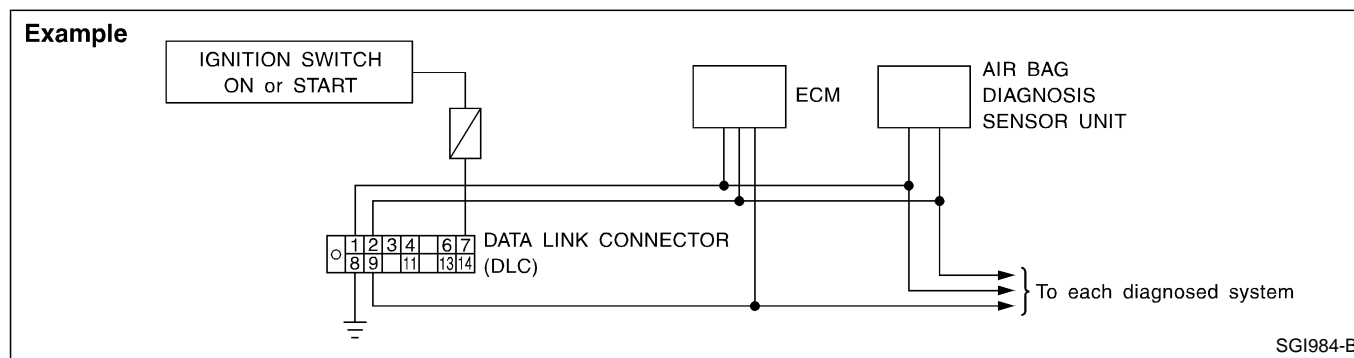
When ordering the below equipment, contact your NISSAN distributor.

Tool name	Description
NISSAN CONSULT-II ① CONSULT-II unit (Tester internal soft: Resident version 3.2.0) and accessories ② Program card AED00A-1 (Version 4.11) AEN00A (Version 2.0) (For NATS) For details, refer to CONSULT-II Operation Manual.	 <p style="text-align: center;">SGI083A</p>

NOTE:

- The CONSULT-II must be used in conjunction with a program card. CONSULT-II does not require loading (Initialization) procedure.
- Be sure the CONSULT-II is turned off before installing or removing a program card.

CONSULT-II Data Link Connector (DLC) Circuit



INSPECTION PROCEDURE

If the CONSULT-II cannot diagnose the system properly, check the following items.

Symptom	Check item
CONSULT-II cannot access any system.	<ul style="list-style-type: none"> • CONSULT-II DLC power supply circuit (Terminal 7) and ground circuit (Terminal 8) (For detailed circuit, refer to "MIL & Data Link Connectors Wiring Diagram" in EC section.) • CONSULT-II DDL cable
CONSULT-II cannot access individual system. (Other systems can be accessed.)	<ul style="list-style-type: none"> • CONSULT-II program card (Check the appropriate CONSULT-II program card for the system. Refer to "Checking Equipment" above.) • Power supply and ground circuit for the control unite of the system (For detailed circuit, refer to wiring diagram for each system.) • Open or short circuit between the system and CONSULT-II DLC (For detailed circuit, refer to wiring diagram for each system.)

IDENTIFICATION INFORMATION

Model Variation

PICKUP (2WD)

Destination	Class		Model		Engine	Transmission	Differential carrier	
	Wheelbase	Cab	Grade					LH drive
General areas (Except for the Middle East and Australia)	Long	Single Cab	STD	AVNGLCF-NQL	—	TD25Ti	FS5W71C	C200
		Double Cab	DX	CVNGLDF-NQN	—			
		Single Cab	STD	AVNGLDF-NQL	—			
		Double Cab	STD	AVNGLCF-NQL	—			
Middle East	Long	Single Cab	DX	CVNGLDF-NQN	—			
		Double Cab	STD	AVNGLDF-NQL	—			

PICKUP (4WD)

Destination	Class		Model		Transmission	Differential carrier		Transfer	
	Wheelbase	Cab	Grade			LH drive	RH drive		Front
General areas (Except for the Middle East and Aus- tralia)	Long	Single Cab	STD	AVNULCF-UQL	—	FS5R30A	R 180A	H233B	TX10
		Double Cab	DX	AVNULDF-UQL	—				
		Double Cab	DX	CVNULDF-UQN	—				
		Double Cab	STD	CVNULDF-UQN	—				
Middle East	Long	Double Cab	DX	CVNULDF-UQN	—				
		Double Cab	STD	CVNULDF-UQN	—				

IDENTIFICATION INFORMATION

Model Variation (Cont'd)

Prefix and suffix designations (Pickup)

GI

MA

EM

LC

EC

FE

CL

MT

AT

TF

PD

FA

RA

BR

ST

RS

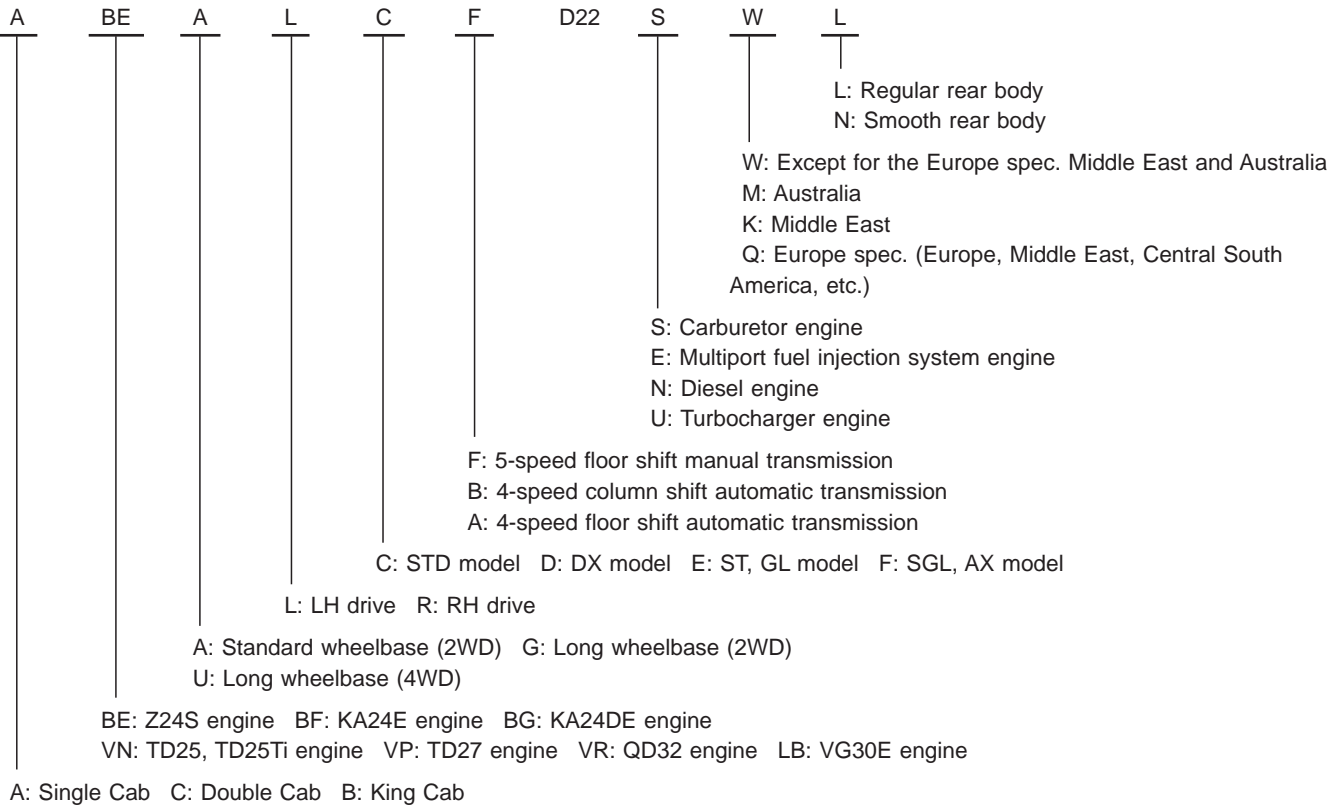
BT

HA

EL

EL

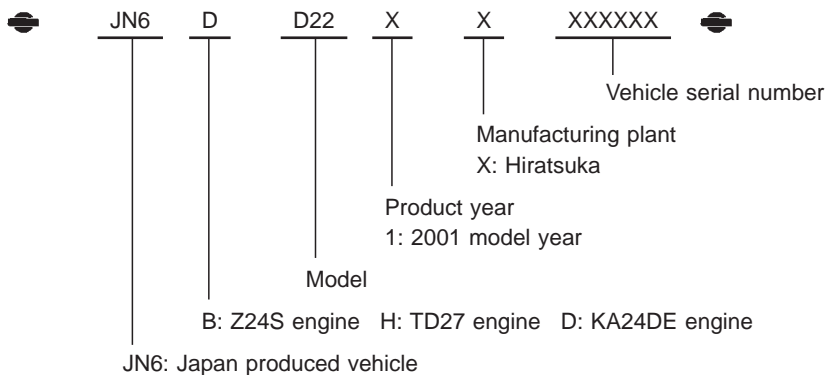
IDX



Identification Number

VEHICLE IDENTIFICATION NUMBER

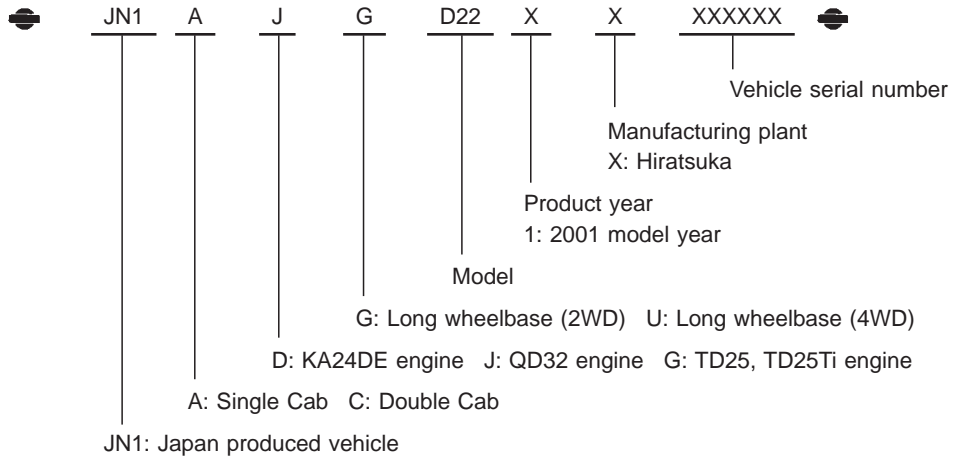
For the Middle East



IDENTIFICATION INFORMATION

Identification Number (Cont'd)

For Brazil, Venezuela, Ecuador and Argentina



IDENTIFICATION INFORMATION

Wheels and Tires

PICKUP (2WD)

Tire	Wheel	Model				
		Except Australia and Europe		Europe		
		Single Cab	Double Cab	Single Cab	King Cab	Double Cab
6.00/6.50-14-6/8PR*1	5J-14, 5-1/2K-15*2	X	X	—	—	—
6.50-14-8/8PR	5J-14, 5-1/2K-15*2	X	X	—	—	—
185R14-8PR	5J-14, 5-1/2K-15*2	X	X	X	X	X
195R14-8PR	5J-14, 5-1/2K-15*2	X*2	X*2	X*2	X*2	X*2
195R14C-8PR	5K-14	—	—	—	—	—
195R15-8PR	5-1/2K-15	—	—	X*2	—	—
195R15-8PR	6JJ-15	X*2	X*2	—	—	X*2

X: Applicable

—: Not applicable

*1: 6.00-14-6 for front/6.50-14-8 for rear

6-ply rating for front/8-ply rating for rear

*2: Option

PICKUP (4WD)

Tire	Wheel	Model	
		Except Australia and Europe	Europe
6.50-15-6/8PR*1	5J-1/2K-15	X	—
215R15-8PR	5J-1/2K-15	X*2	—
205R16-8PR	6J-16	X	X
255/70R15-8PR	7JJ-15	X*2	X*2

X: Applicable

—: Not applicable

*1: 6-ply rating for front/8-ply rating for rear

*2: Option

GI

MA

EM

LC

EC

FE

CL

MT

AT

TF

PD

FA

RA

BR

ST

RS

BT

HA

EL

IDX