

MANUAL TRANSMISSION

GI

SECTION **MT**

MA

EM

LC

MODIFICATION NOTICE:

- YD25DDTi and ZD30DDT engine model information has been added.

EC

CONTENTS

FE

<input type="checkbox"/>	FS5R30A	<input type="checkbox"/>
REMOVAL AND INSTALLATION		2
Installation		2

SERVICE DATA AND SPECIFICATIONS (SDS)	4
General Specifications	4

CL

MT

AT

TF

PD

FA

RA

BR

ST

RS

BT

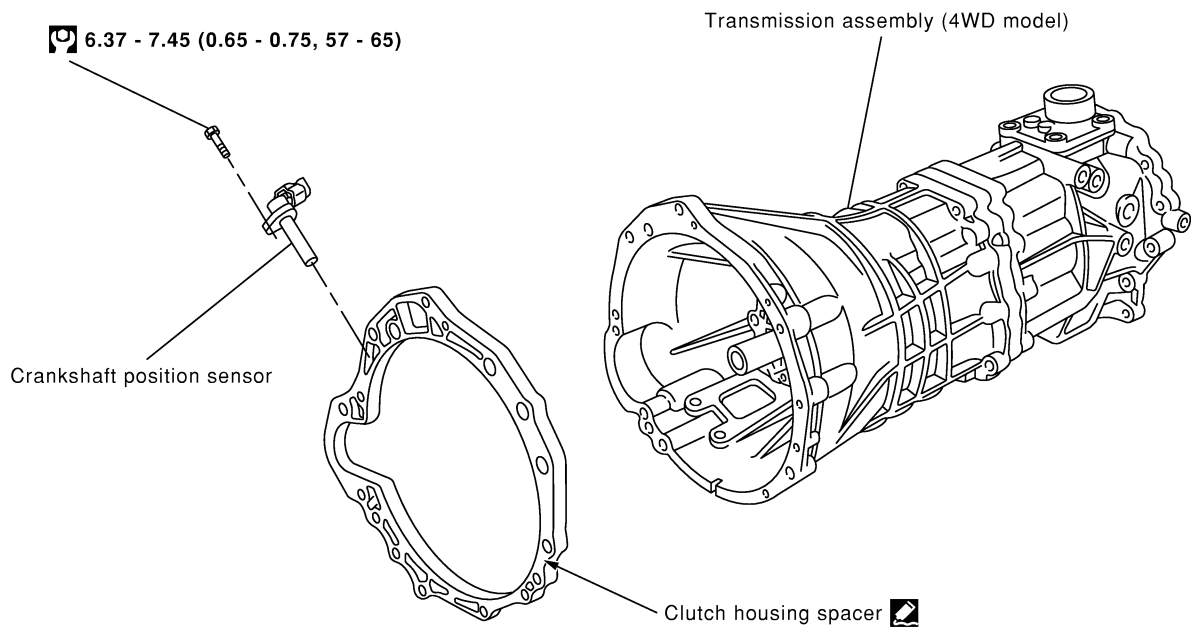
HA

EL

IDX

Installation

YD25DDTi engine models only (with FS5R30A)



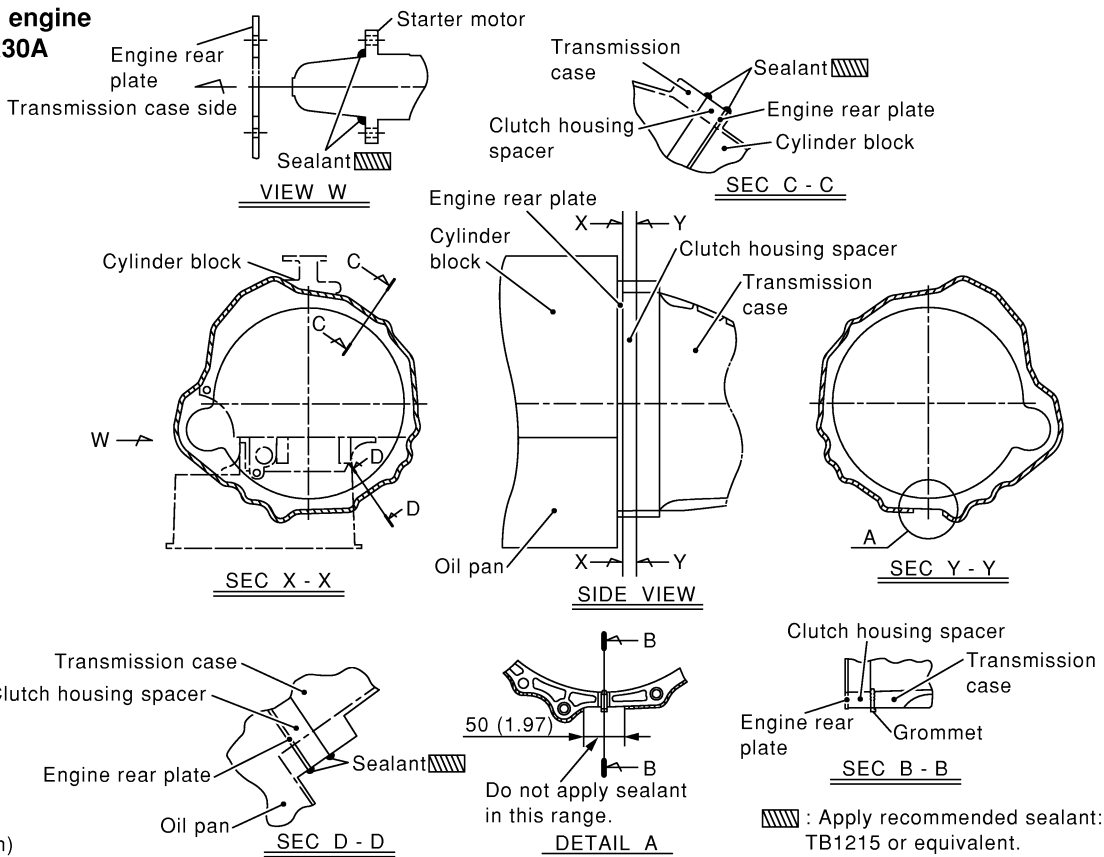
: N·m (kg-m, ft-lb)

: Apply genuine anaerobic liquid gasket, Three Bond TB1215, Loctite Part No. 51813 or equivalent.

SMT141E

● Apply sealant as below.

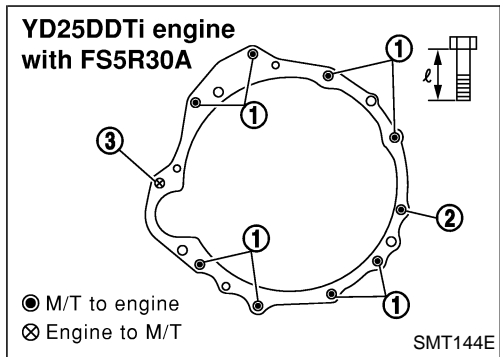
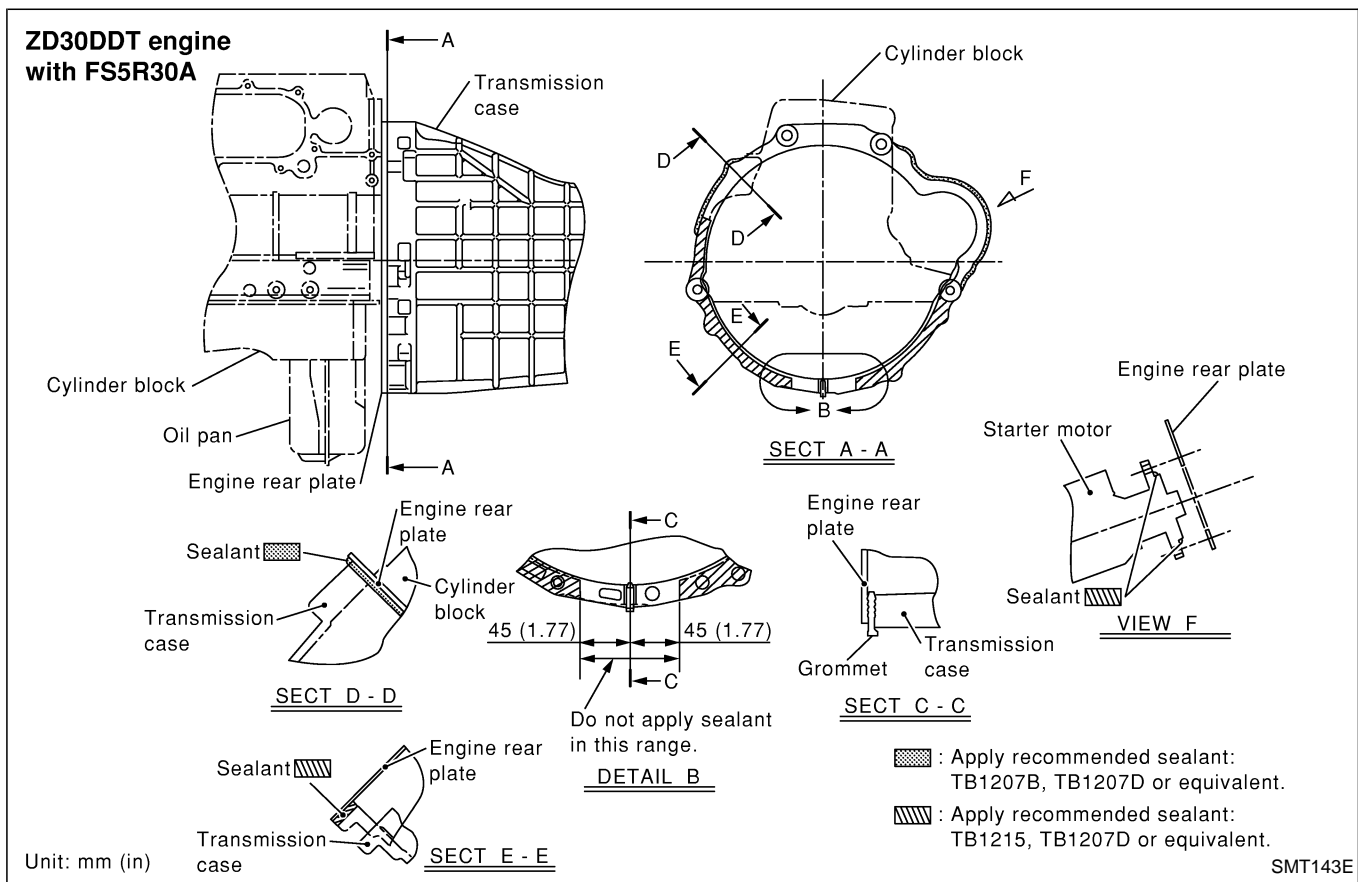
YD25DDTi engine with FS5R30A



Unit: mm (in)

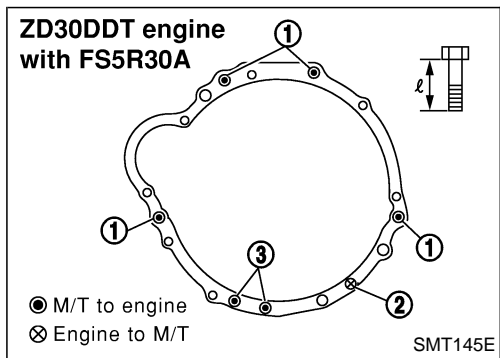
SMT142E

Installation (Cont'd)



- Tighten bolt securing transmission.
YD25DDTi engine model

Bolt No.	Tightening torque N-m (kg-m, ft-lb)	ℓ mm (in)
①	39 - 49 (4.0 - 5.0, 29 - 36)	90 (3.54)
②	39 - 49 (4.0 - 5.0, 29 - 36)	95 (3.74)
③	39 - 49 (4.0 - 5.0, 29 - 36)	75 (2.95)



ZD30DDT engine model

Bolt No.	Tightening torque N-m (kg-m, ft-lb)	ℓ mm (in)
①	39 - 49 (4.0 - 5.0, 29 - 36)	58 (2.28)
②	18 - 22 (1.9 - 2.2, 14 - 16)	16 (0.63)
③	29 - 39 (3.0 - 4.0, 22 - 29)	100 (3.94)

General Specifications

Applied model	2WD		4WD	
	YD25DDTi		ZD30DDT	
Transmission	FS5R30A			
Number of speed	5			
Shift pattern				
Synchromesh type	Warner			
Gear ratio				
1st	3.580			
2nd	2.077			
3rd	1.360			
4th	1.000			
OD	0.760			
Reverse	3.636			
Number of teeth				
Mainshaft				
Drive	22			
1st	32			
2nd	30			
3rd	29			
OD	23			
Reverse	30			
Countershaft				
Drive	32			
1st	13			
2nd	21			
3rd	31			
OD	44			
Reverse	12			
Reverse idler gear	22			
Oil capacity	ℓ (Imp pt)	2.8 (4-7/8)		5.1 (9)
Remarks	Sub-gear	Counter drive gear	Installed	Installed
		Reverse idler gear	Not installed	Installed
	Double baulk ring type synchronizer		Not installed	2nd and 3rd gears
	Reverse synchronizer		Installed	Not installed