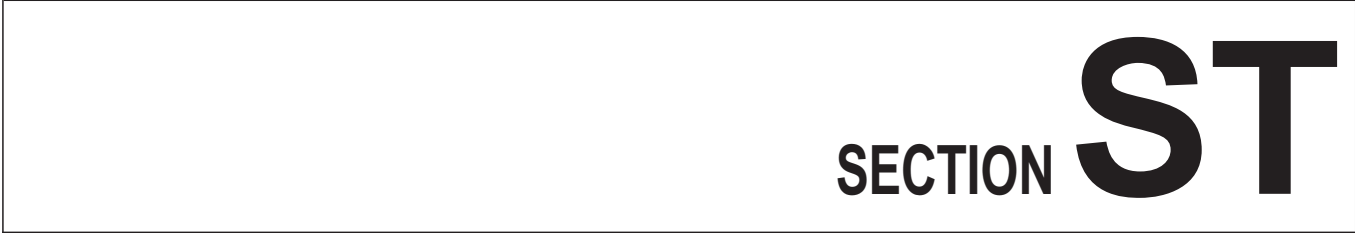


STEERING SYSTEM

GI



MA

EM

LC

MODIFICATION NOTICE:

- Steering column has been changed.
- Power steering hydraulic line has been changed.

EC

FE

CONTENTS

CL

POWER STEERING SYSTEM	2	SERVICE DATA AND SPECIFICATIONS (SDS)	3
Description	2	Inspection and Adjustment	3

MT

AT

TF

PD

FA

RA

BR

ST

RS

BT

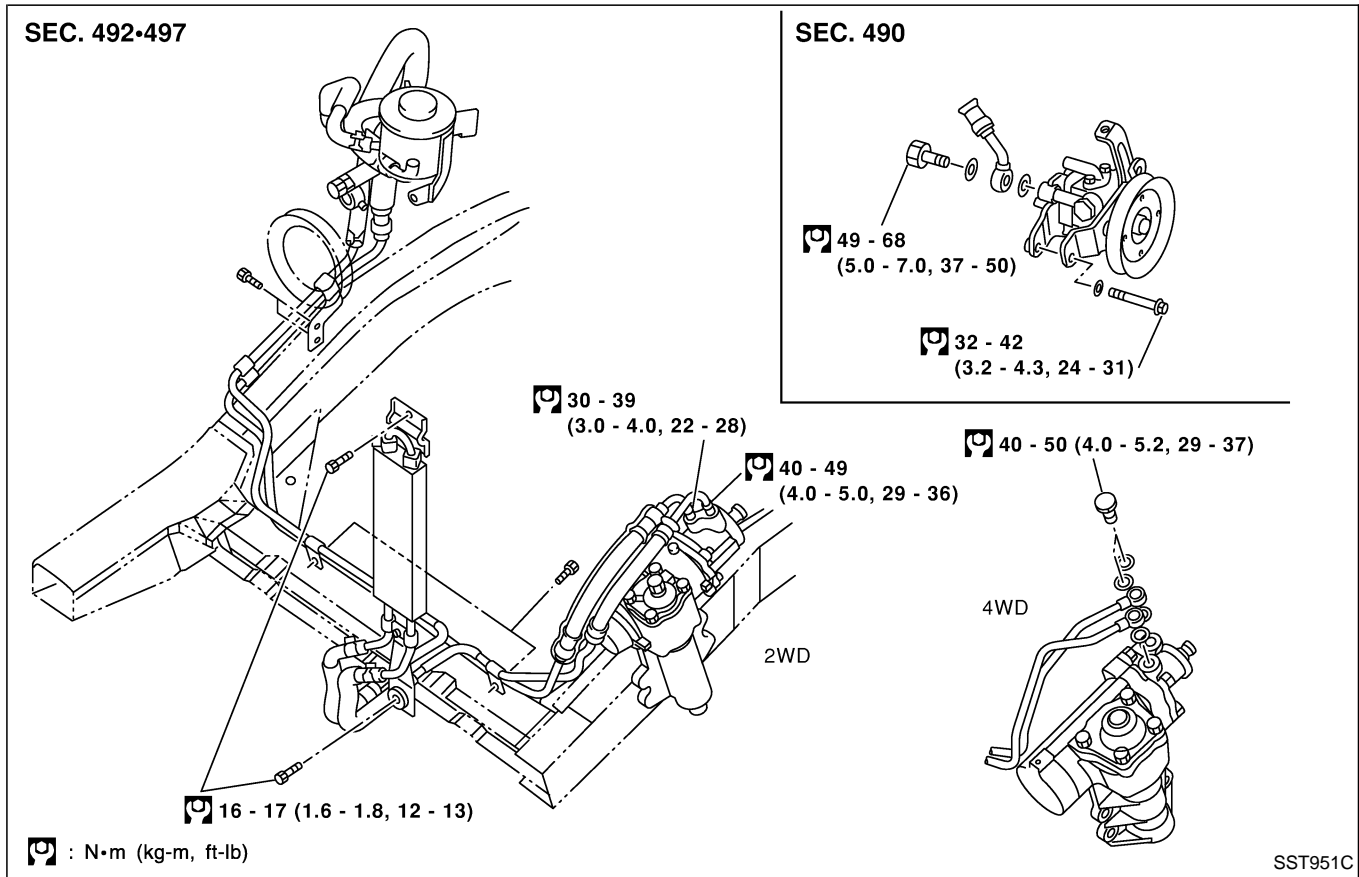
HA

EL

IDX

POWER STEERING SYSTEM

Description



CAUTION:

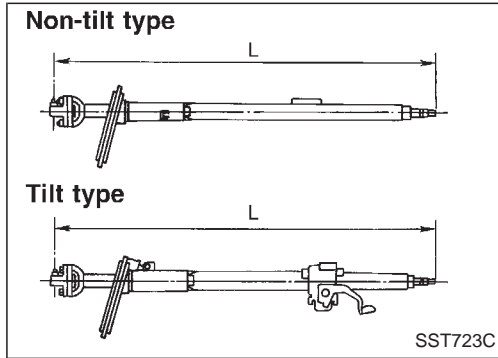
- Parts which can be disassembled are strictly limited. Never disassemble parts other than those specified.
- Disassemble in as clean a place as possible.
- Clean your hands before disassembly.
- Do not use rags; use nylon cloths or paper towels.
- Follow the procedures and cautions indicated in the Service Manual.

Inspection and Adjustment

STEERING COLUMN

Unit: mm (in)

Dimension "L"	822.5 - 824.1 (32.38 - 32.44)
---------------	-------------------------------



GI

MA

EM

LC

EC

FE

CL

MT

AT

TF

PD

FA

RA

BR

ST

RS

BT

HA

EL

IDX