

SERVICE MANUAL

Datsun

MODEL 510 SERIES
CHASSIS and BODY



SECTION SE

SERVICE EQUIPMENT

CLUTCH TOOLS	SE-1
FRONT AXLE TOOLS	SE-1
GEAR CARRIER TOOLS	SE-2
REAR AXLE TOOLS	SE-5

SE

SERVICE EQUIPMENT

CLUTCH TOOLS

ST49090000

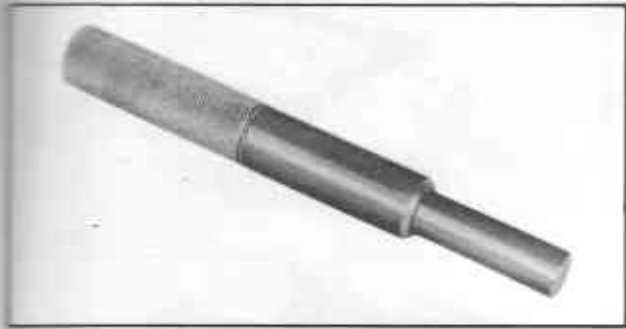


Fig. SE-1 Clutch aligning bar

ST49390000

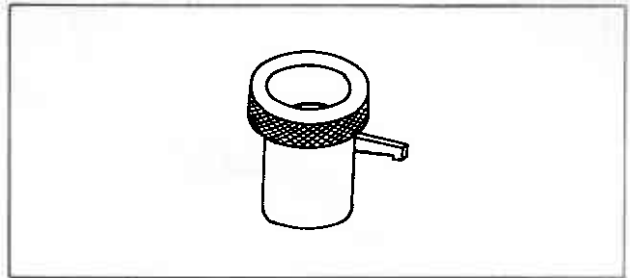


Fig. SE-3 Height gauge

ST49400000

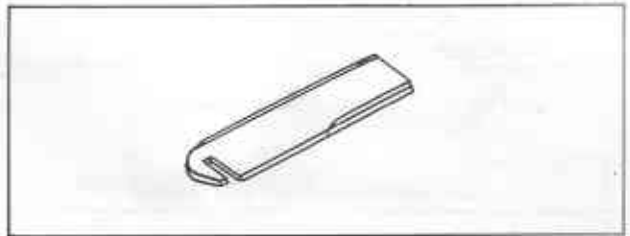


Fig. SE-4 Diaphragm spring adjusting wrench

ST47990000

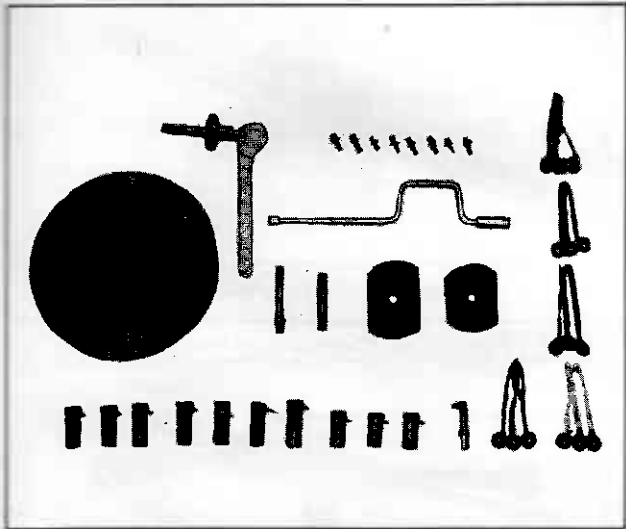


Fig. SE-2 Clutch assembly tools

ST49360000

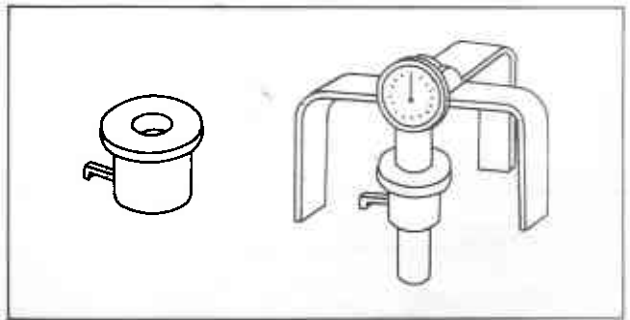


Fig. SE-5 Clutch release checker

FRONT AXLE TOOLS

ST49100000

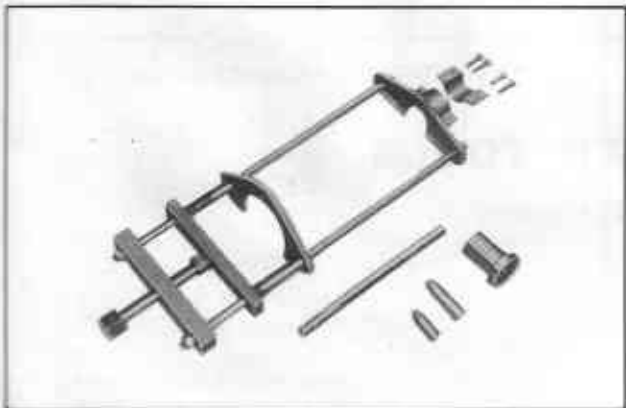


Fig. SE-6 Coil spring compressor

ST49110000

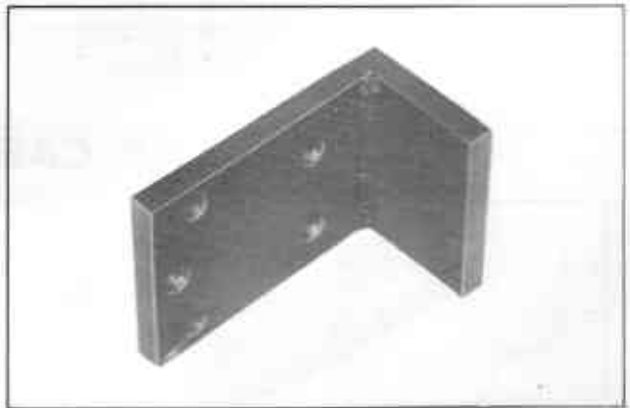


Fig. SE-7 Strut and steering gear box attachment

CHASSIS

ST49120000

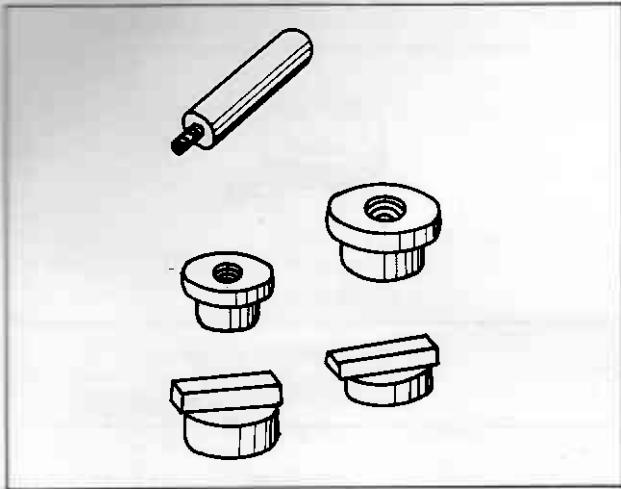


Fig. SE-8 Front hub drift assembly

ST49140000



Fig. SE-11 Snap ring plier

ST49340000



Fig. SE-12 Gland packing guide A, B

ST49130000

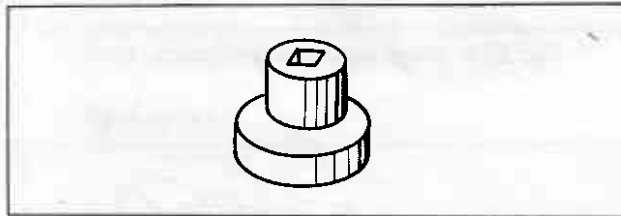


Fig. SE-9 Gland packing wrench

ST46440000

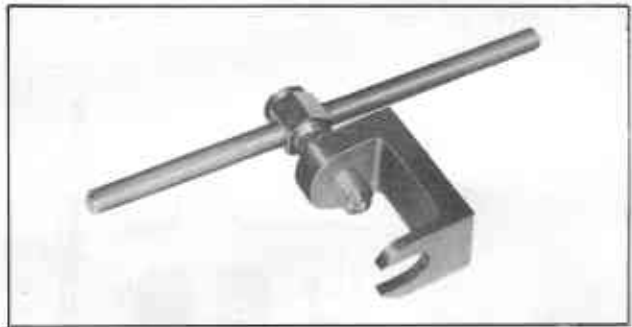


Fig. SE-13 Steering gear arm puller

ST49590000

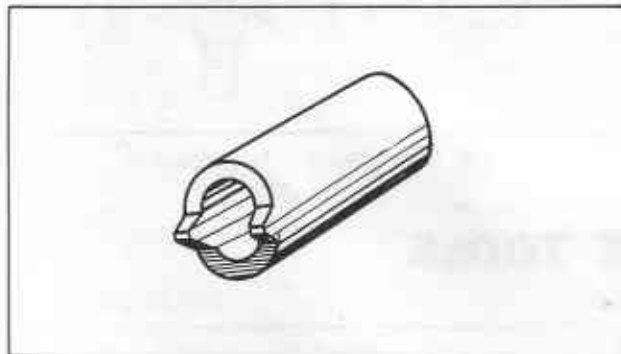


Fig. SE-10 Gland packing wrench

ST46430000

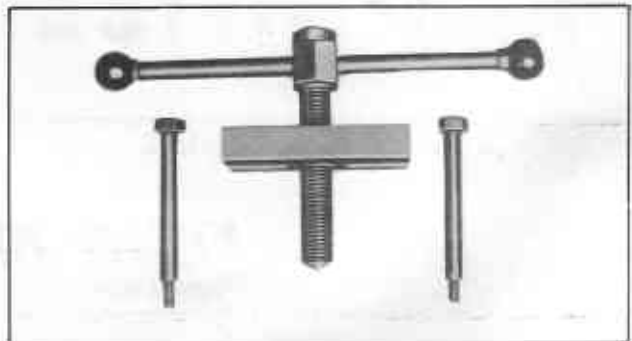


Fig. SE-14 Steering wheel puller

GEAR CARRIER TOOLS

ST49230000



Fig. SE-15 Gear carrier side retainer attachment

SERVICE EQUIPMENT

ST49240000

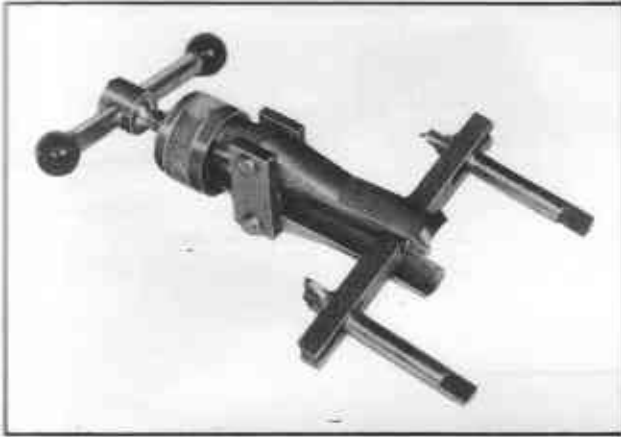


Fig. SE-16 Gear carrier oil seal puller

ST49250000



Fig. SE-17 Gear carrier side flange stand

ST49270000

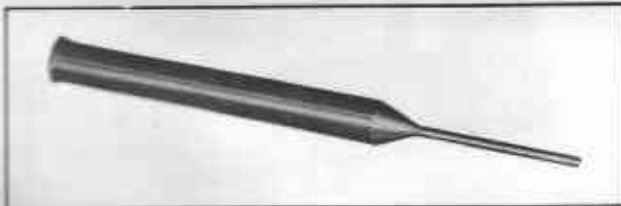


Fig. SE-18 Solid punch

ST49280000

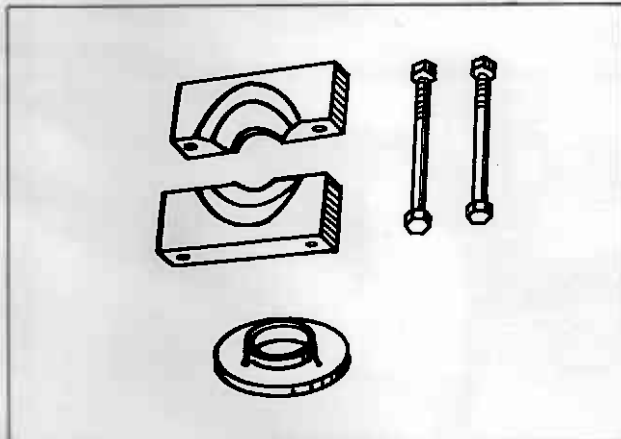


Fig. SE-19 Drive pinion rear bearing inner race replacer

ST49300000



Fig. SE-20 Gear carrier height gauge assembly

ST49310000

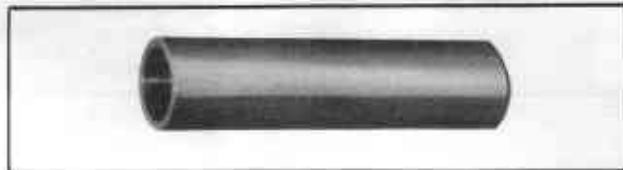


Fig. SE-21 Drive pinion collar

ST49320000

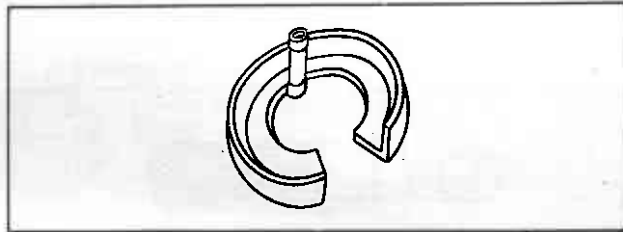


Fig. SE-22 Gear carrier oil seal drift

ST46240000

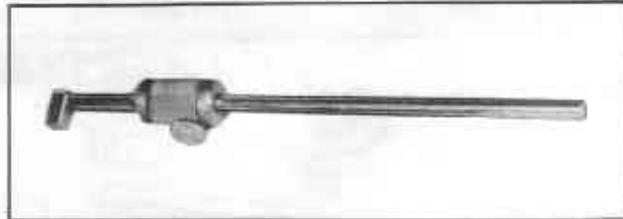


Fig. SE-23 Pre-load gauge

ST49330000

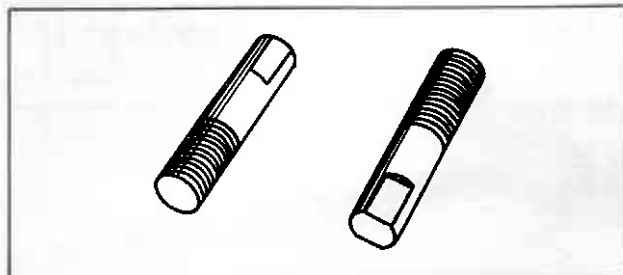


Fig. SE-24 Gear carrier side retainer guide

CHASSIS

ST46860000

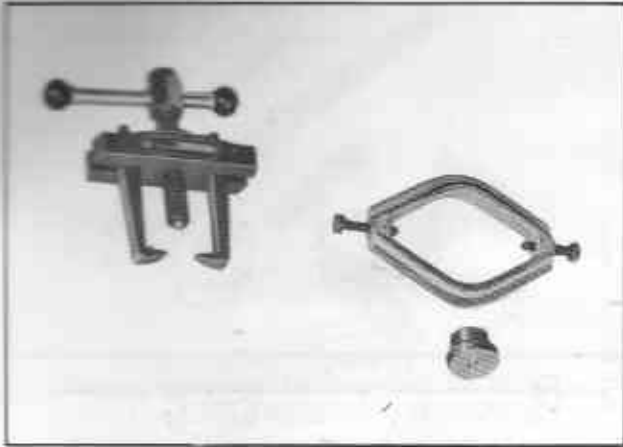


Fig. SE-25 Gear carrier side bearing puller

ST46860002



Fig. SE-26 Adapter

ST49260000

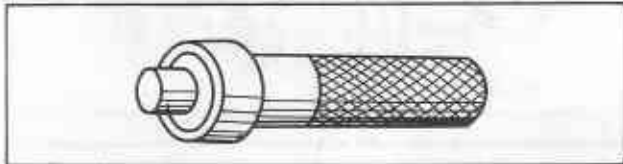


Fig. SE-27 Gear carrier side bearing drift

ST49290000

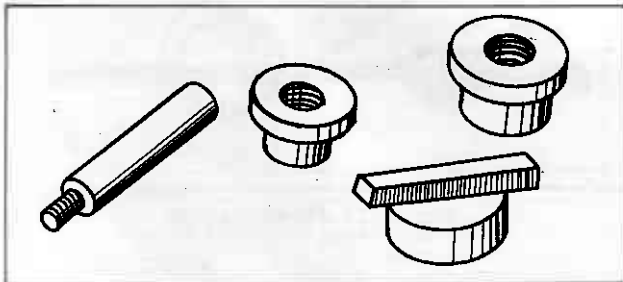


Fig. SE-28 Drive pinion outer race drift assembly

ST47340000

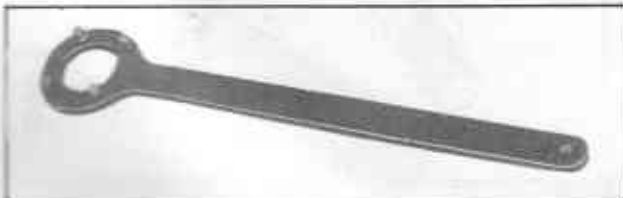


Fig. SE-29 Drive pinion flange wrench

ST37400510



Fig. SE-30 Gear carrier strut and steering gear box attachment

ST46780000

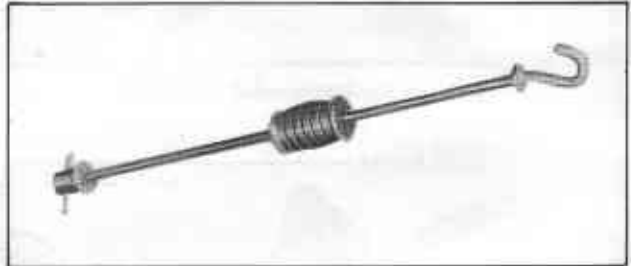


Fig. SE-31 Sliding hammer

ST46200000
(for Van, Wagon)

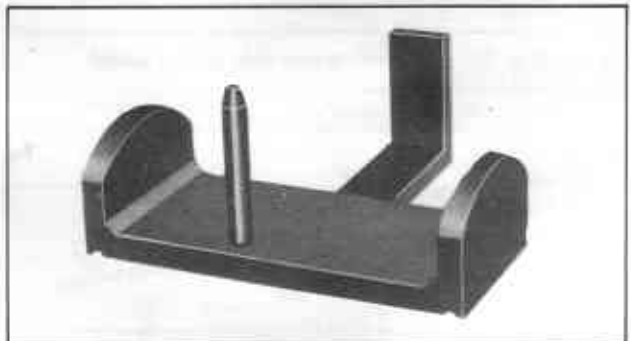


Fig. SE-32 Drive pinion arrangement gauge

ST46380000
(for Van, Wagon)



Fig. SE-33 Gear carrier side bearing gap gauge

SERVICE EQUIPMENT

ST3740000D
(for Van, Wagon)

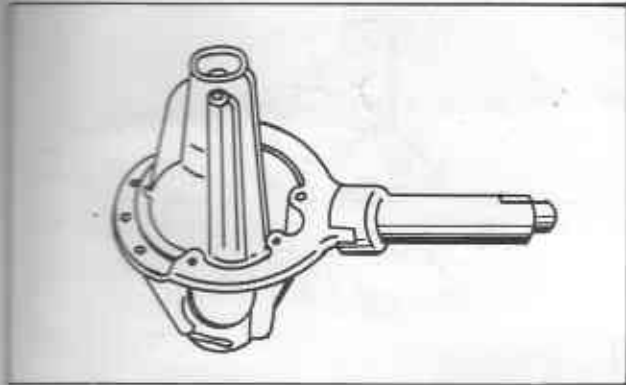


Fig. SE-34 Gear carrier attachment

ST47820000
(for Van, Wagon)

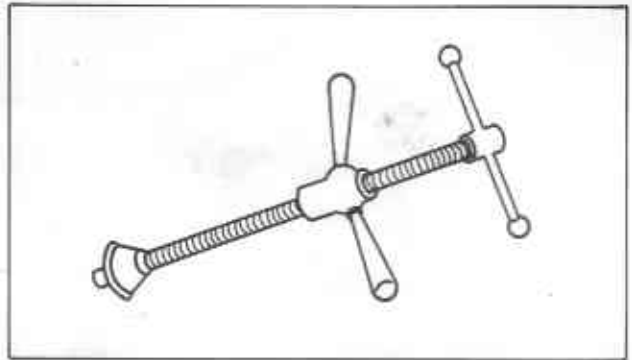


Fig. SE-35 Drive pinion front and rear bearing outer race replacer

ST46310000
(for Van, Wagon)

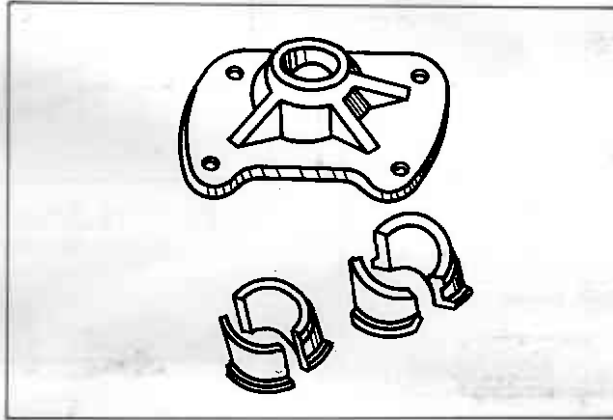


Fig. SE-36 Drive pinion front and rear bearing replacer adapter

REAR AXLE TOOLS

ST49150000

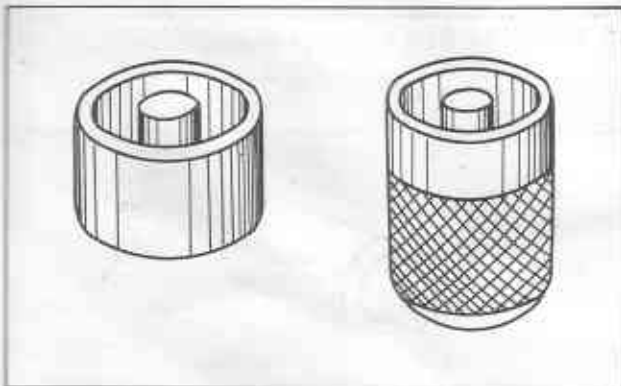


Fig. SE-37 Differential mounting member insulator drift assembly

ST49160000



Fig. SE-38 Rear suspension arm bush remover

CHASSIS

ST49170000

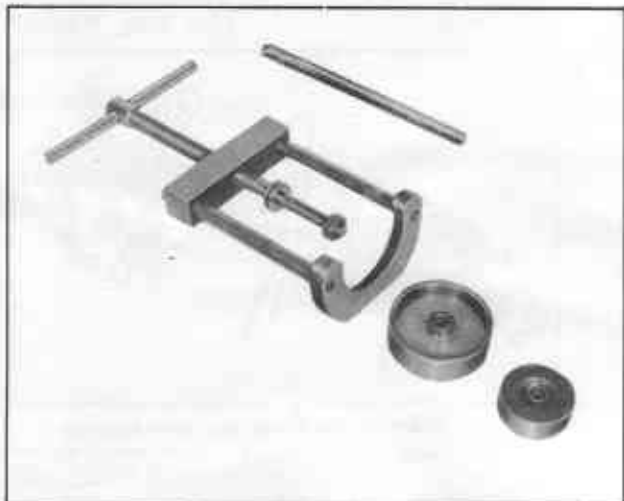


Fig. SE-39 Rear suspension member insulator replacer

ST49180000

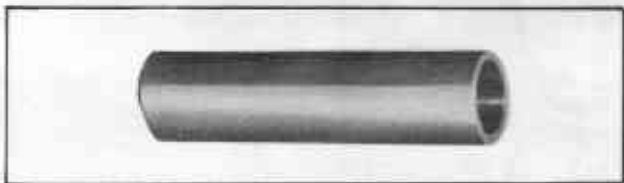


Fig. SE-40 Rear axle shaft bearing drift

ST49190000

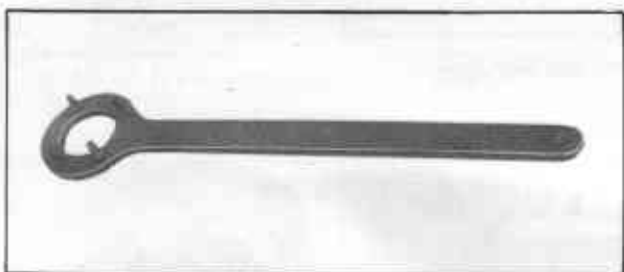


Fig. SE-41 Rear axle shaft flange wrench

ST49210000



Fig. SE-42 Drive shaft snap ring plier

ST46790000

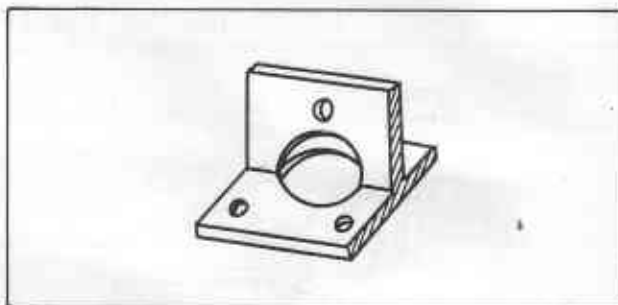


Fig. SE-43 Rear axle stand

ST46790000
(for Van, Wagon)

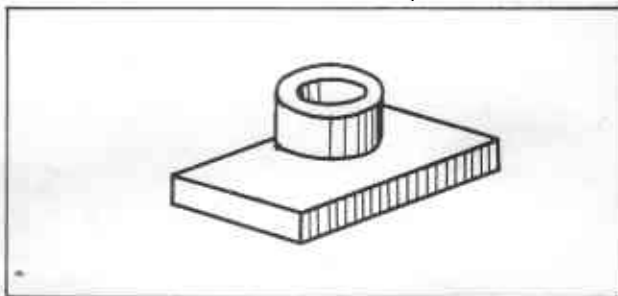


Fig. SE-44 Rear axle shaft bearing lock collar insertor

ST4694000A
(for Van, Wagon)

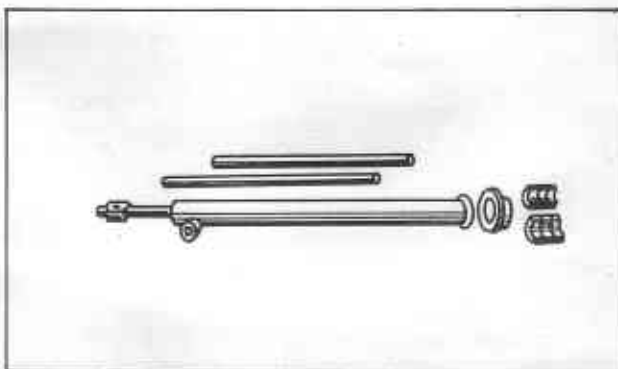


Fig. SE-45 Rear axle shaft bearing collar puller

ST49200000

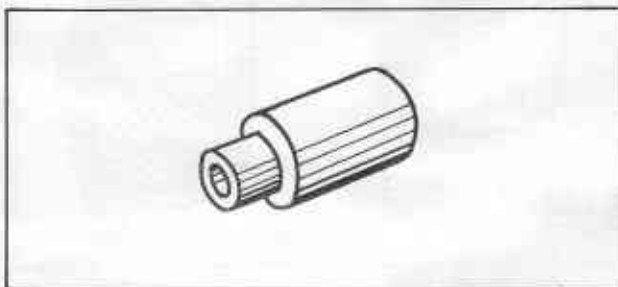


Fig. SE-46 Rear axle oil seal drift