

CLUTCH

GI

SECTION CL

MA

EM

LC

MODIFICATION NOTICE:

KA24DE engine model information has been added.

EC

FE

CONTENTS

CLUTCH SYSTEM2	HYDRAULIC CLUTCH CONTROL5
Clutch Pedal3	Operating Cylinder5
INSPECTION AND ADJUSTMENT4	SERVICE DATA AND SPECIFICATIONS (SDS)6
Adjusting Clutch Pedal4	General Specifications6
	Inspection and Adjustment6

CL

MT

AT

TF

PD

FA

RA

BR

ST

RS

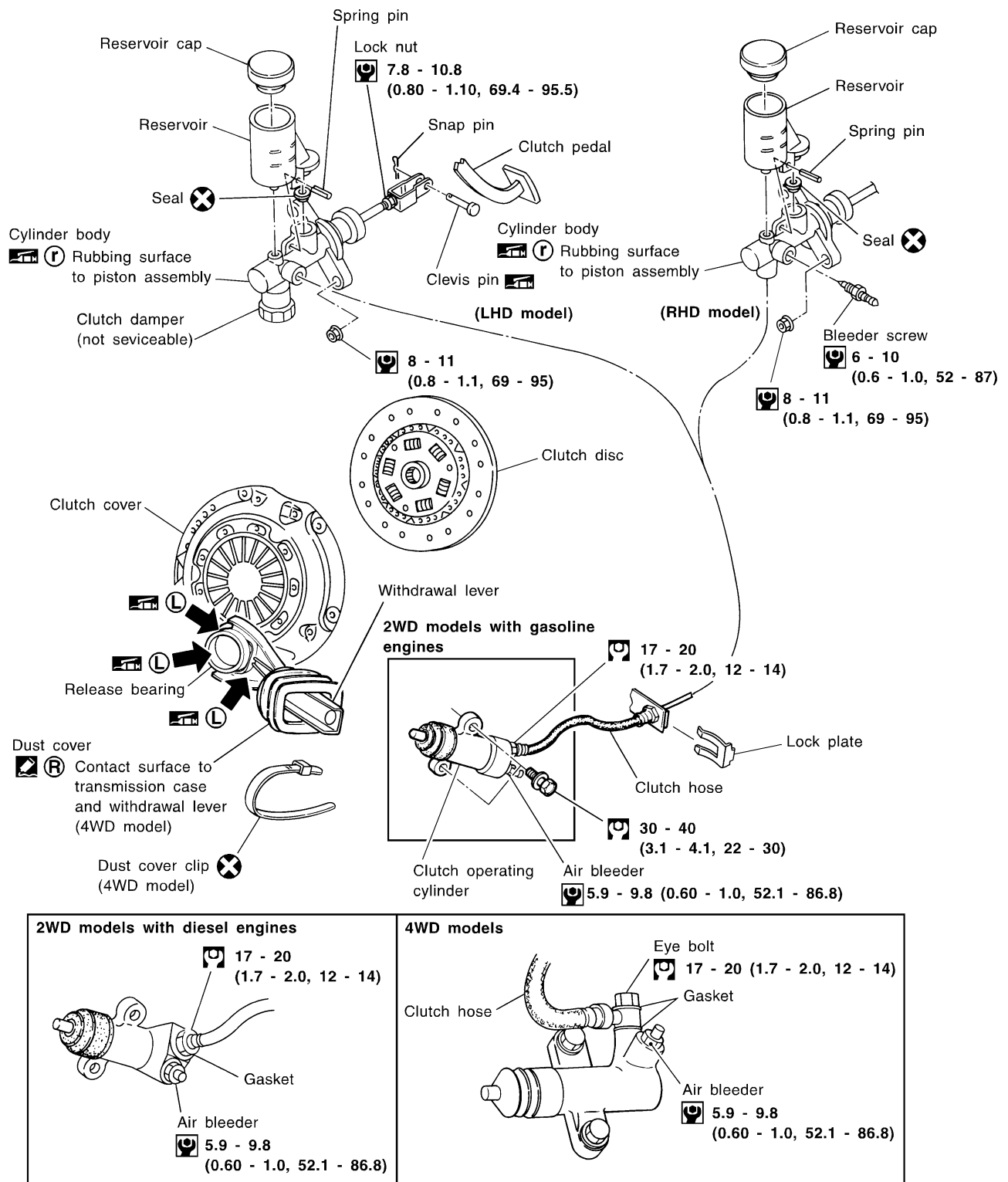
BT

HA

EL

IDX

CLUTCH SYSTEM



: N·m (kg-m, ft-lb)

(R) : Apply recommended sealant, Nissan genuine part: KP115-00100, Three Bond TB1212 or equivalent.

(R)

(L) : Apply lithium-based grease including molybdenum disulphide.

(L)

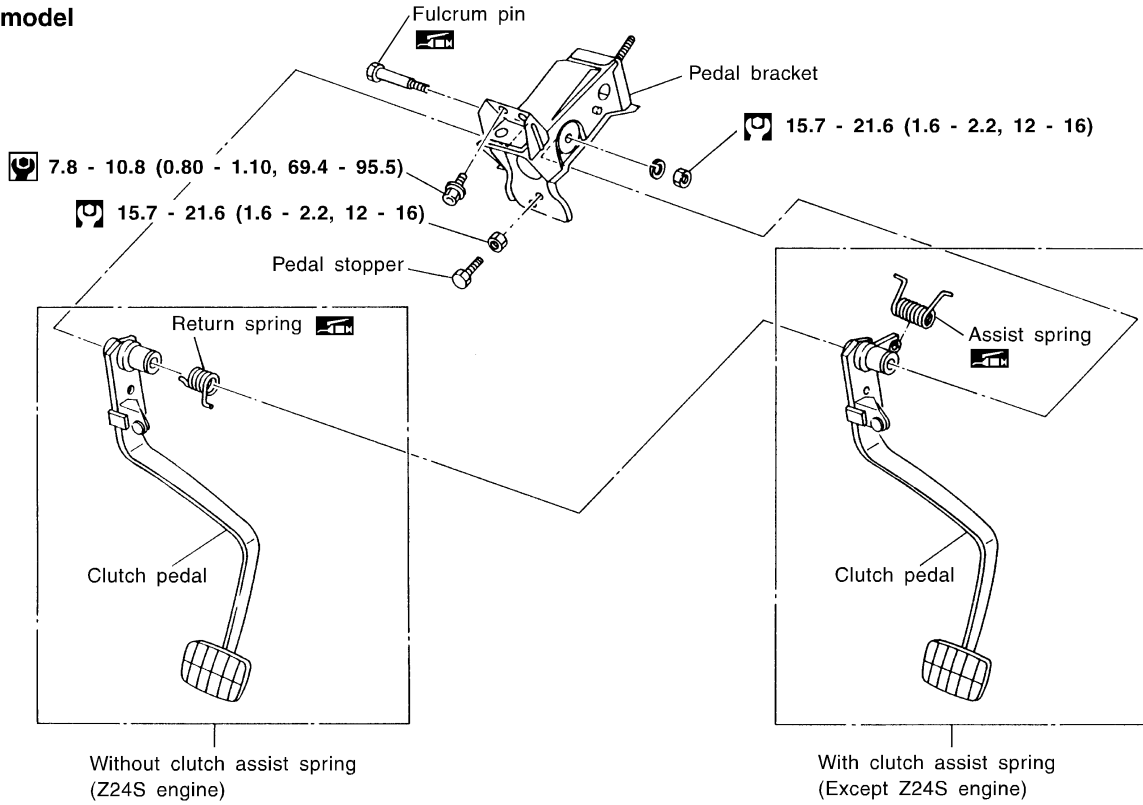
(F) : Apply rubber lubricant.

(F)

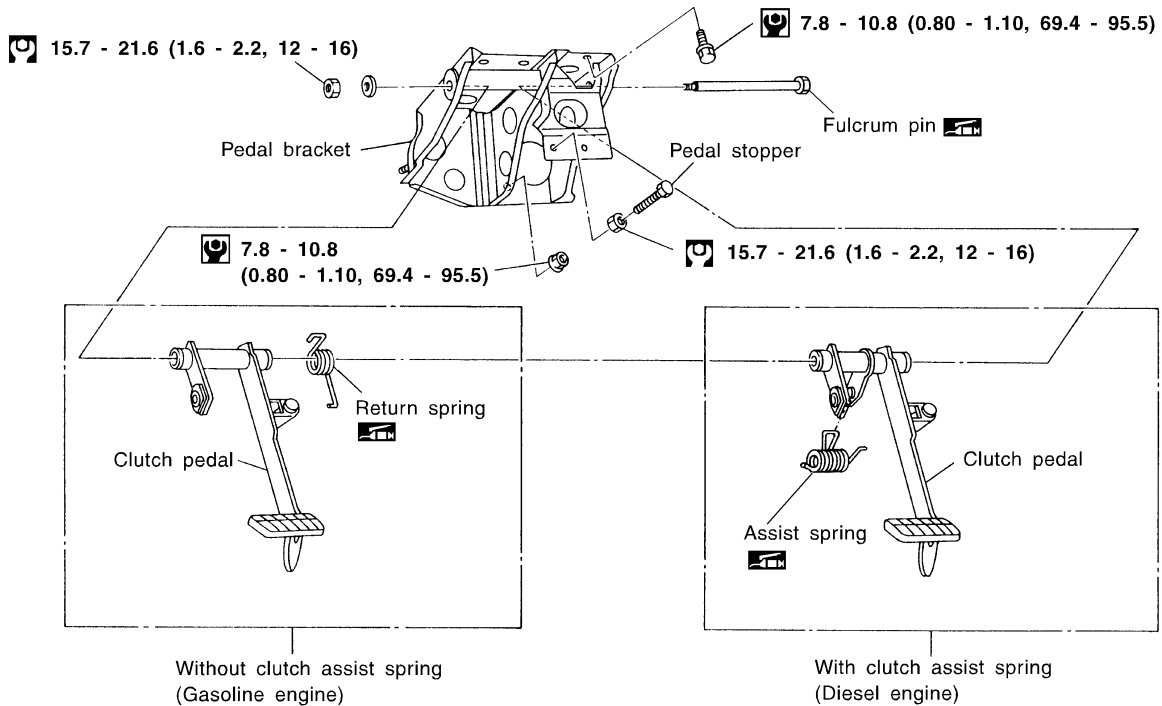
CLUTCH SYSTEM

Clutch Pedal

LHD model



RHD model



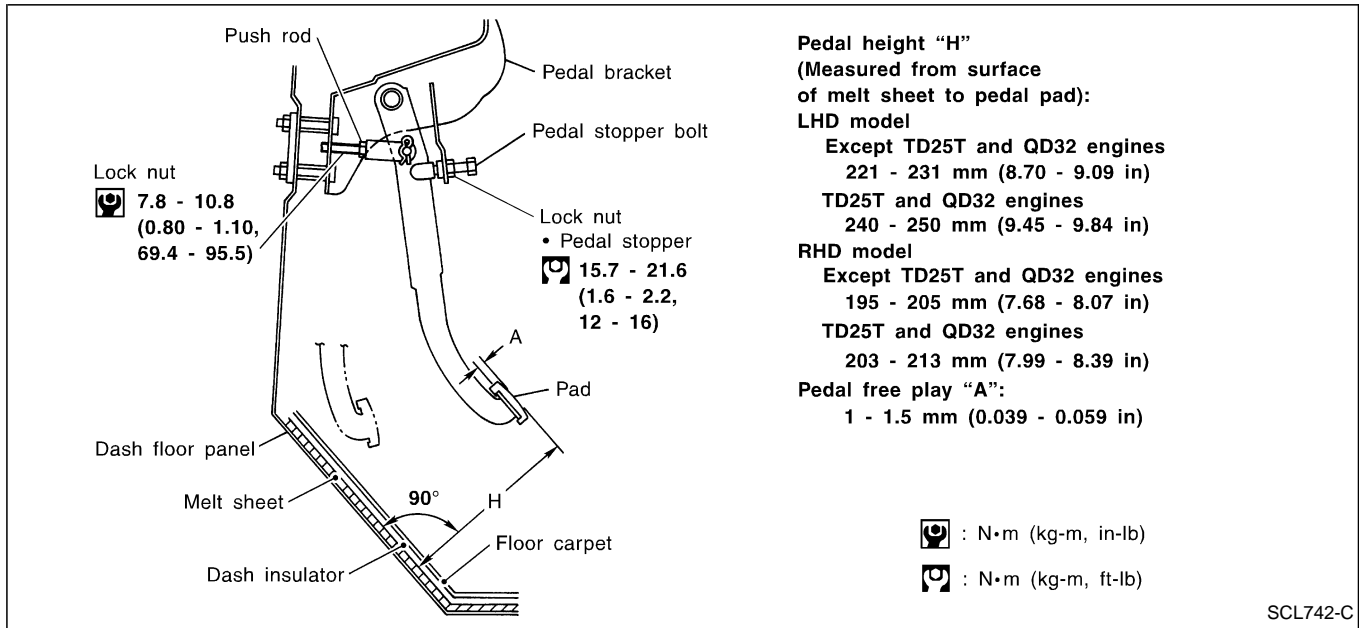
: N·m (kg-m, in-lb)

: N·m (kg-m, ft-lb)

GI
MA
EM
LC
EC
FE
CL
MT
AT
TF
PD
FA
RA
BR
ST
RS
BT
HA
EL
IDX

INSPECTION AND ADJUSTMENT

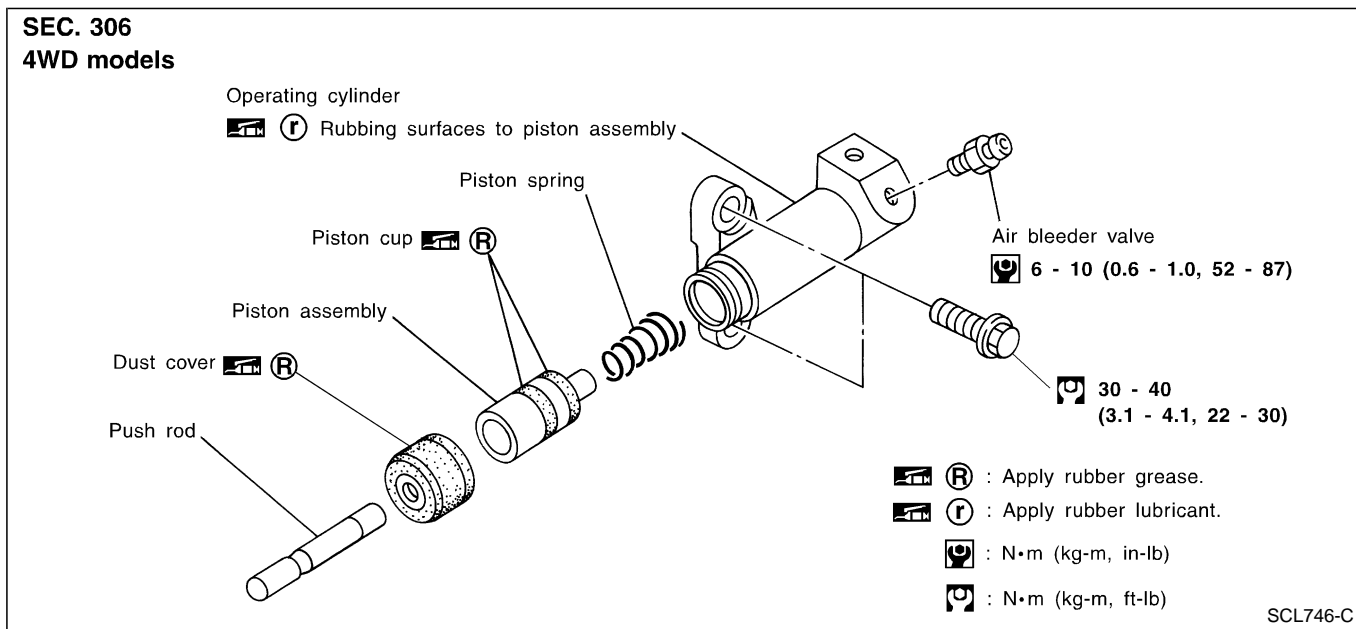
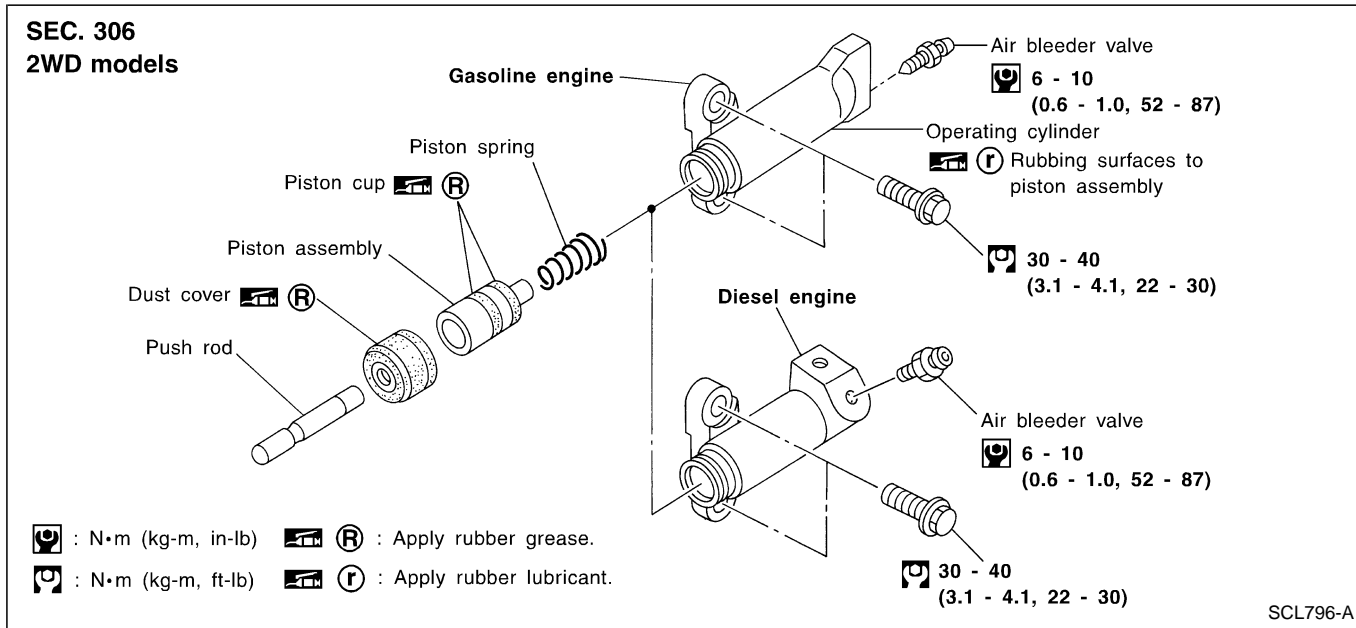
Adjusting Clutch Pedal



SCL742-C

HYDRAULIC CLUTCH CONTROL

Operating Cylinder



GI
MA
EM
LC
EC
FE
CL
MT
AT
TF
PD
FA
RA
BR
ST
RS
BT
HA
EL
IDX

SERVICE DATA AND SPECIFICATIONS (SDS)

General Specifications

CLUTCH DISC

Destination	Australia, Middle East and General areas
Model	240
Engine	KA24DE, Z24S
Facing size mm (in) (Outer dia. x inner dia. x thickness)	240 x 150 x 3.5 (9.45 x 5.91 x 0.138)
Thickness of disc assembly With load mm (in)	7.75 - 8.25 (0.3051 - 0.3248) With 4,904 N (500 kg, 1,103 lb)
Destination	Europe
Model	240
Engine	KA24E
Facing size mm (in) (Outer dia. x inner dia. x thickness)	240 x 150 x 3.5 (9.45 x 5.91 x 0.138)
Thickness of disc assembly With load mm (in)	7.6 - 8.0 (0.299 - 0.315) With 4,904 N (500 kg, 1,103 lb)

CLUTCH COVER

Model	240	250
Engine	KA24DE	TD25T
Full load N (kg, lb)	4,413 (450, 992)	5,884 (600, 1,323)

Inspection and Adjustment

CLUTCH PEDAL

Unit: mm (in)

Pedal height "H**"	
LHD model	
KA24DE engine model	221 - 231 (8.70 - 9.09)
RHD model	
KA24DE engine model	195 - 205 (7.68 - 8.07)

*: Measured from surface of melt sheet to pedal pad

CLUTCH COVER

Unit: mm (in)

Model	240	250
Engine model	KA24DE	TD25T
Diaphragm spring height	37.5 - 39.5 (1.476 - 1.555)	36.5 - 38.5 (1.437 - 1.516)
Uneven limit of diaphragm spring toe height	0.5 (0.020)	0.5 (0.020)

CLUTCH DISC

Unit: mm (in)

Model	240
Engine model	KA24DE
Wear limit of facing surface to rivet head	0.3 (0.012) or more
Runout limit of facing	1.0 (0.039)
Distance of runout check point (from the hub center)	115 (4.53)
Maximum backlash of spline (at outer edge of disc)	1.0 (0.039)