

SECTION IP
INSTRUMENT PANEL

A
B
C
D
E
F
G
H
J
K
L
M

CONTENTS

PRECAUTIONS	2	Component Parts Drawing	3
Precautions for Supplemental Restraint System (SRS) "AIR BAG" and "SEAT BELT PRE-TEN- SIONER"	2	Removal and Installation	4
Precautions	2	TABLE OF WORK ITEM	4
INSTRUMENT PANEL ASSEMBLY	3	REMOVAL	4
		INSTALLATION	6



PRECAUTIONS

PRECAUTIONS

PF0:00001

Precautions for Supplemental Restraint System (SRS) “AIR BAG” and “SEAT BELT PRE-TENSIONER”

EIS001JG

The Supplemental Restraint System such as “AIR BAG” and “SEAT BELT PRE-TENSIONER”, used along with a front seat belt, helps to reduce the risk or severity of injury to the driver and front passenger for certain types of collision. Information necessary to service the system safely is included in the SRS and SB section of this Service Manual.

WARNING:

- **To avoid rendering the SRS inoperative, which could increase the risk of personal injury or death in the event of a collision which would result in air bag inflation, all maintenance must be performed by an authorized NISSAN/INFINITI dealer.**
- **Improper maintenance, including incorrect removal and installation of the SRS, can lead to personal injury caused by unintentional activation of the system. For removal of Spiral Cable and Air Bag Module, see the SRS section.**
- **Do not use electrical test equipment on any circuit related to the SRS unless instructed to in this Service Manual. SRS wiring harnesses can be identified by yellow harness connectors.**

Precautions

EIS001JH

- Disconnect both battery cables in advance.
- Disconnect air bag system line in advance.
- Never tamper with or force air bag lid open, as this may adversely affect air bag performance.
- Be careful not to scratch pad and other parts.
- When removing or disassembling any part, be careful not to damage or deform it. Protect parts, which may get in the way with cloth.
- When removing parts with a screwdriver or other tool, protect parts by wrapping them with vinyl or tape.
- Keep removed parts protected with cloth.
- If a clip is deformed or damaged, replace it.
- If an un reusable part is removed, replace it with a new one.
- Tighten bolts and nuts firmly to the specified torque.
- After re-assembly has been completed, make sure each part functions correctly.
- Remove stains in the following way.

Water-soluble stains:

Dip a soft cloth in warm water, and then squeeze it tightly. After wiping the stain, wipe with a soft dry cloth.

Oil stain:

Dissolve a synthetic detergent in warm water (density of 2 to 3% or less), dip the cloth, then clean off the stain with the cloth. Next, dip the cloth in fresh water and squeeze it tightly. Then clean off the detergent completely. Then wipe the area with a soft dry cloth.

- Do not use any organic solvent, such as thinner or benzene.

INSTRUMENT PANEL ASSEMBLY

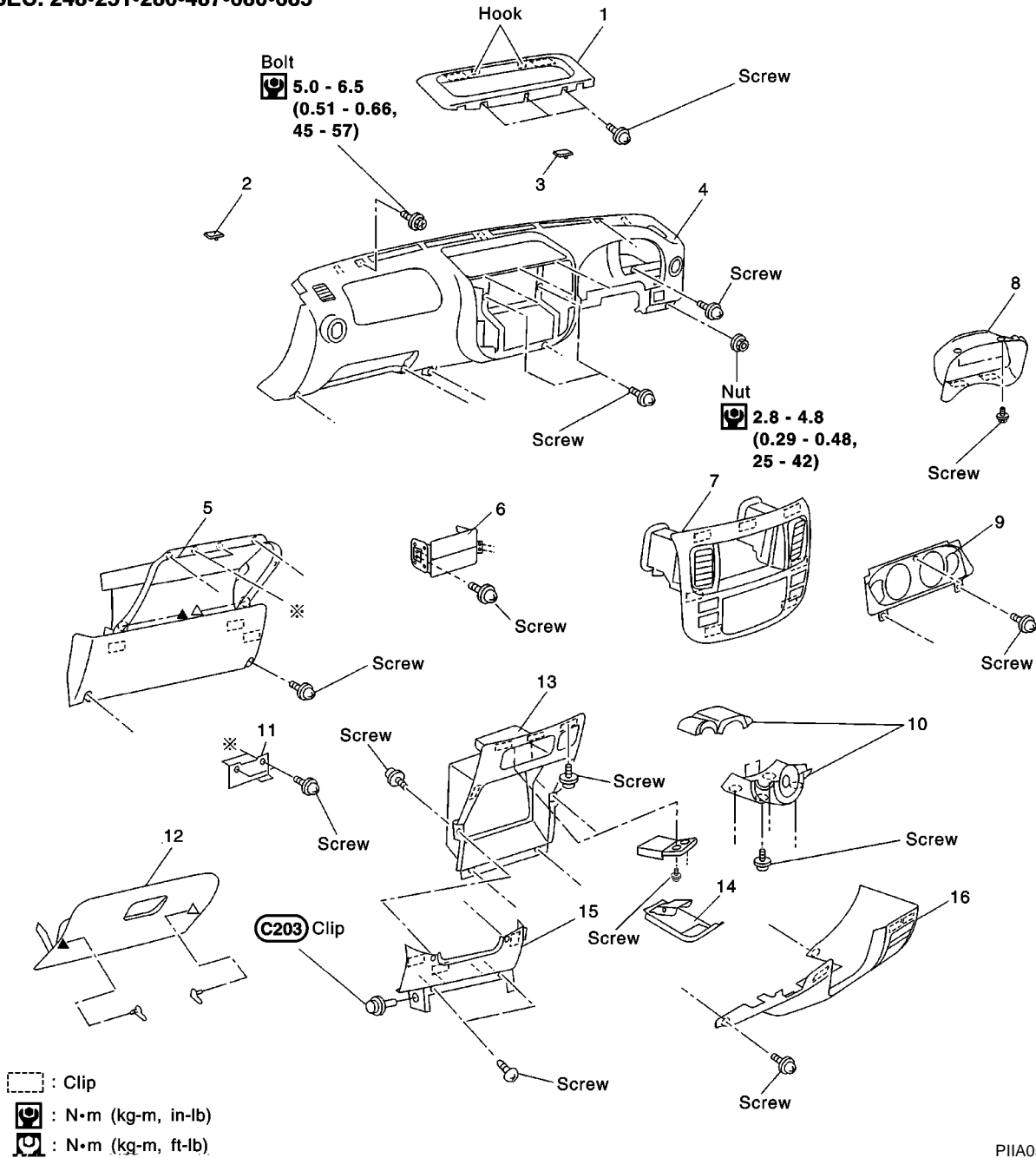
INSTRUMENT PANEL ASSEMBLY

PFP:68200

Component Parts Drawing

EIS00190

SEC. 248•251•280•487•680•685



PIIA0582E

- | | | |
|----------------------------------|---------------------------------|---------------------------------|
| 1 Instrument upper center tray | 2 Instrument mask (left) | 3 Instrument mask (right) |
| 4 Instrument panel | 5 Instrument lower assist panel | 6 Audio (radio mask), audio box |
| 7 Cluster lid "C" | 8 Cluster lid "A" | 9 Combination meter |
| 10 Steering column cover | 11 Striker | 12 Glove box lid |
| 13 Instrument lower center panel | 14 Ashtray | 15 Instrument panel stay cover |
| 16 Instrument panel driver panel | | |

INSTRUMENT PANEL ASSEMBLY

EIS0019P

Removal and Installation TABLE OF WORK ITEM

Component	Instrument panel	Combination meter	Audio
Steering column cover	[1]	[1]	
Cluster lid "A"	[2]	[2]	
Combination meter	[3]	[3]	
Instrument lower driver panel	[4]		
Cluster lid "C"	[5]		[1]
Instrument upper center tray	[6]		
Audio (radio mask), Pocket deck	[7]		[2]
A/C controller	[8]		
Glove box lid	[9]		
Striker	[10]		
Instrument lower assist panel	[11]		
Instrument lower center pane	[12]		
Instrument panel stay cover	[13]		
Instrument mask (LH/RH)	[14]		
Front pillar garnishes (LH/RH)	[15]		
Combination switch (light, turn signal and wiper/washer)	[16]		
Instrument center bracket	[17]		
Instrument panel	[18]		

[]: The number shows the removal order.

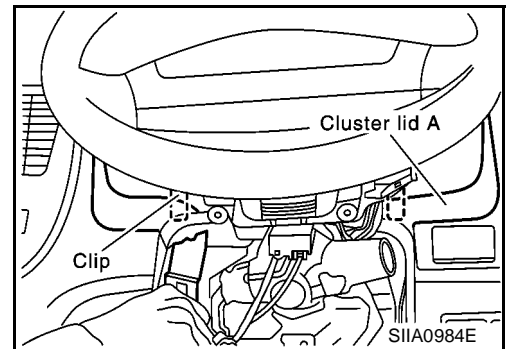
REMOVAL

Steering Column Cover

Remove mounting screws, and remove steering column cover.

Cluster Lid "A"

1. Remove mounting screws.
2. Insert clip clamp remover into the gap between instrument panel and cluster lid "A". Then remove lower clips on the back side, and remove it.



Combination Meter

Remove mounting screws. Then separate harness connector, and remove.

NOTE:

When removing and installing, using shop clothes, protect the parts from damage.

Instrument Lower Driver Panel

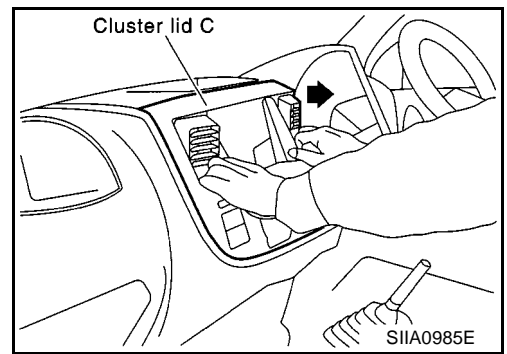
Remove mounting screws, and pull the panel straight to disengage clip on the back side, and remove.

Cluster Lid "C"

1. Turn central ventilator grille (LH/RH) of cluster lid C downward.

INSTRUMENT PANEL ASSEMBLY

2. Holding the gap between central ventilator grille and cluster lid C, pull it straight toward rear of the vehicle, and remove.



A
B
C
D
E
F
G
H
IP
J
K
L
M

Instrument Upper Center Tray

Remove mounting screws, and pull the tray upwards to disengage clip on the back side, and remove.

Audio (radio mask), Pocket Deck

Remove mounting screws. Then separate harness connector, and remove.

NOTE:

When removing and installing, using shop clothes, protect the parts from damage.

A/C Controller

Remove mounting screws, and push A/C controller to inside of instrument panel. Then separate harness connector and wire, and remove.

Glove Box Lid

1. Using a tool such as a flat-bladed screwdriver wrapped with tape, remove hinge pins.
2. While pulling glove box lid toward rear of the vehicle, remove stopper arm.

Striker

Remove mounting screws, then remove it.

Instrument Lower Assist Panel

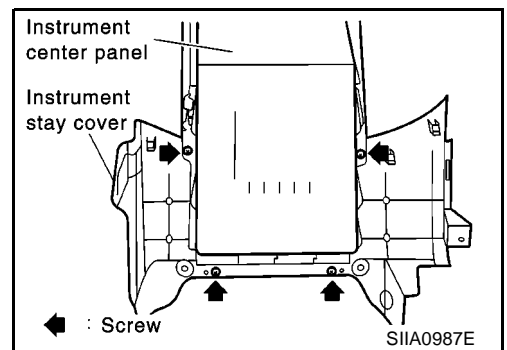
After removing mounting screws, pull the panel straight, and disengage clips on the back side, and remove.

NOTE:

Do not pull and remove board in glove box.

Instrument Lower Center Panel

1. Remove mounting screws and clips of instrument lower center panel and instrument panel stay cover.
2. Pull the panel straight, and disengage clips on the back side. Then remove instrument lower center panel together with instrument panel stay cover.
3. After installation, remove screws on the back side of instrument lower center panel, and separate instrument panel stay cover.



Instrument Mask (LH/RH)

Insert a flat-bladed screwdriver, wrapped with a shop cloth, into cutout on the instrument mask. Unfasten and remove tab.

Front Pillar Garnishes (LH/RH)

Pull front pillar garnish straight toward inside the vehicle. Then remove metal clips, and remove it. Refer to [EI-22. "Removal and Installation"](#) in "EI Exterior/Interior".

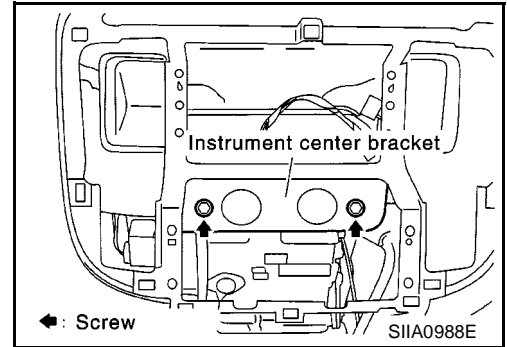
INSTRUMENT PANEL ASSEMBLY

Combination Switch

Remove light, turn signal and wiper/washer switches.

Instrument Center Bracket

1. Remove instrument panel mounting screws (2).
2. Remove screws from steering member, and remove instrument center bracket.

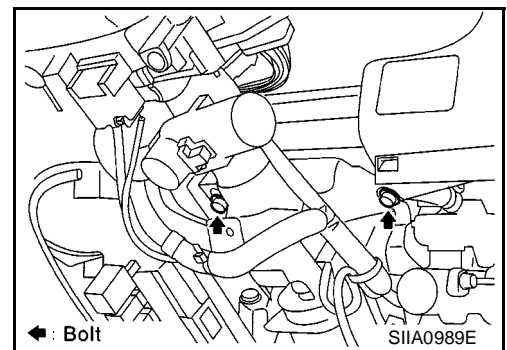


Instrument Panel

1. Remove steering column mounting nuts.
2. Remove bolts, nuts, and screws from instrument panel, and remove instrument panel.

NOTE:

When removing, be careful to avoid interference with driver side brake reservoir tank.



INSTALLATION

Install in the reverse order of removal.

NOTE:

- When installing instrument panel, make sure that locating pins (3) on the back side are completely fitted in holes on the vehicle.
- When installing cluster lid "A", while pushing up upper plastic tab at the center, insert instrument panel. Then insert lower clips.

