

SECTION **BT**

MODIFICATION NOTICE:

- The body front end has been changed.
- Exterior has been changed.

CONTENTS

BODY END	2	EXTERIOR	6
Body Front End.....	2		

BODY END

Body Front End

- When removing or installing hood, place a cloth or other padding on hood. This prevents vehicle body from being scratched.
- Bumper fascia is made of plastic. Do not use excessive force and be sure to keep oil away from it.
- Hood adjustment: Adjust at hinge portion.
- Hood lock adjustment: After adjusting, check hood lock control operation. Apply a coat of grease to hood locks engaging mechanism.
- Hood opener: Do not attempt to bend cable forcibly. Doing so increases effort required to unlock hood.

REMOVAL — Front bumper assembly

- ① Remove clips securing front grille and remove the front grille. **A**
- ② Remove bolts securing left and right bumper stays. **B**
- ③ Remove bolts securing left and right bumper fascia (lower). **C**
- ④ Remove bolts securing left and right bumper side brackets. **D**
- ⑤ Remove bolts securing left and right bumper side stays. **E**
- ⑥ Extract bumper assembly.

BODY END

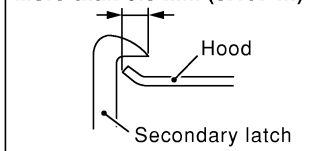
Body Front End (Cont'd)

Hood lock adjustment

- Adjust hood so that hood primary lock meshes at a position 1 to 1.5 mm (0.039 to 0.059 in) lower than fender.
- After hood lock adjustment, adjust bumper rubber.
- When securing hood lock, ensure it does not tilt. Striker must be positioned at the center of hood primary lock.
- After adjustment, ensure that hood primary and secondary lock operate properly.

Hood lock secondary latch hooking length

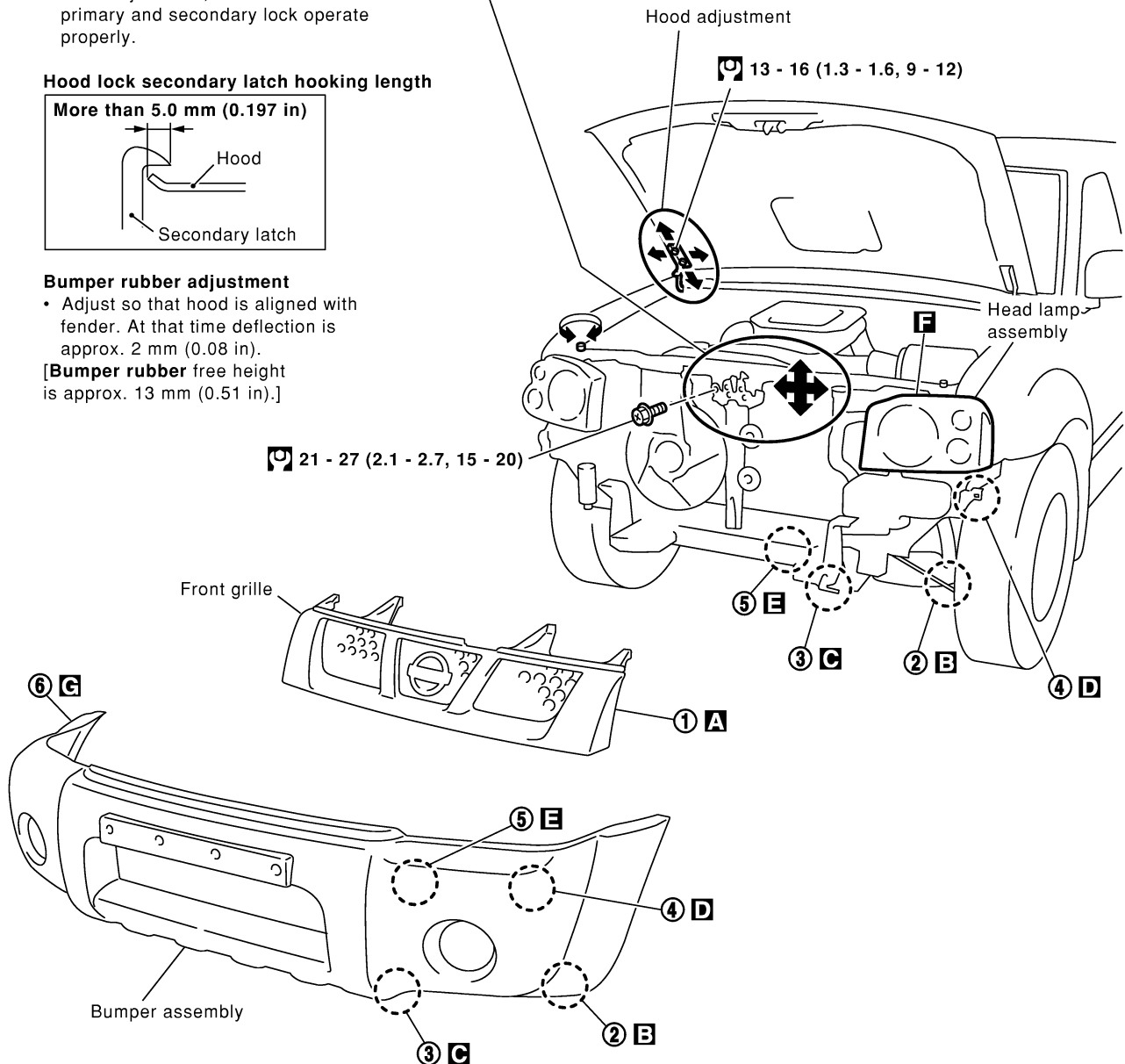
More than 5.0 mm (0.197 in)



Bumper rubber adjustment

- Adjust so that hood is aligned with fender. At that time deflection is approx. 2 mm (0.08 in).

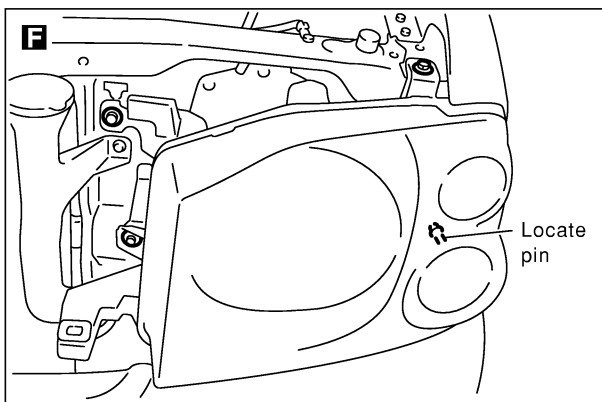
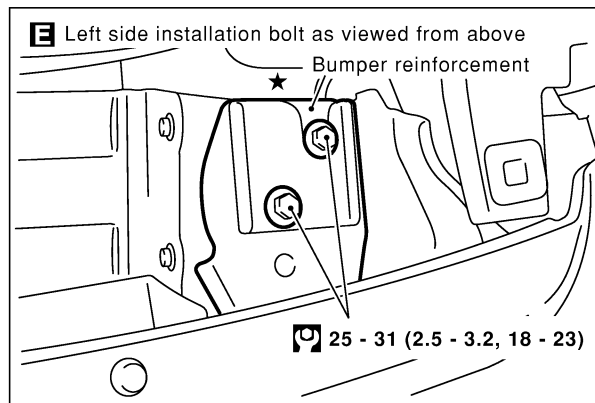
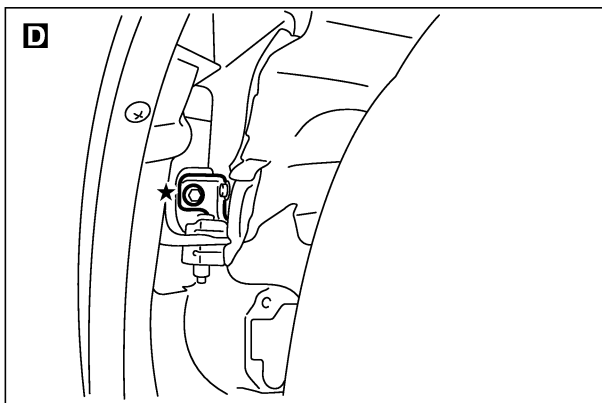
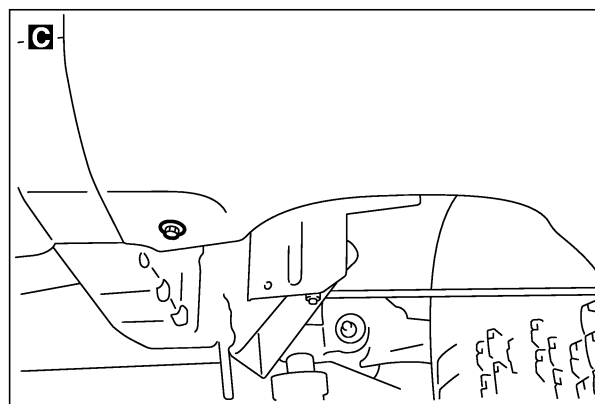
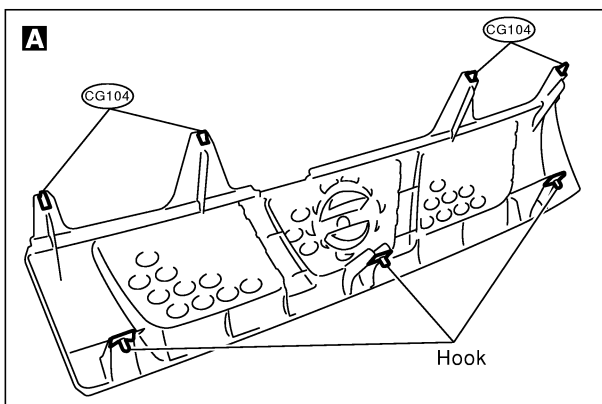
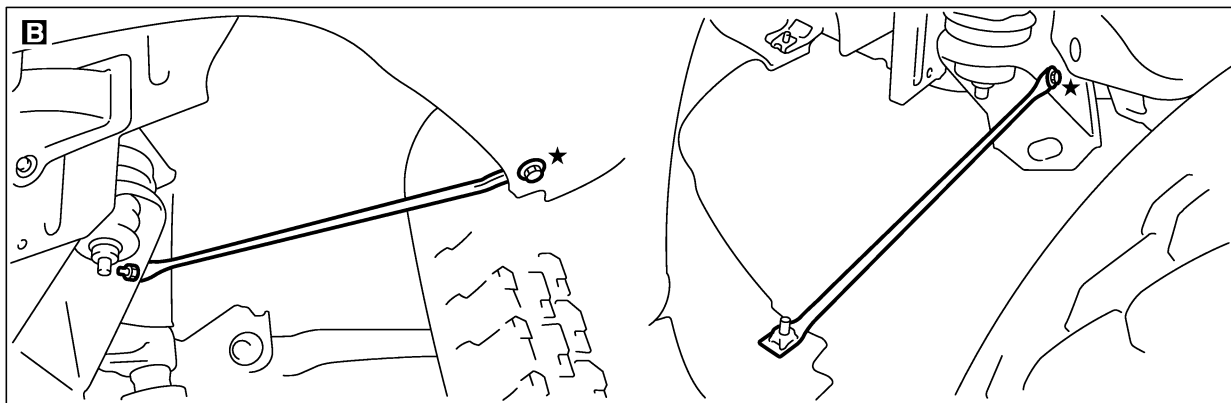
[Bumper rubber free height is approx. 13 mm (0.51 in).]




GI
MA
EM
LC
EC
FE
CL
MT
AT
TF
PD
FA
RA
BR
ST
RS
BT
HA
EL
IDX

BODY END

Body Front End (Cont'd)

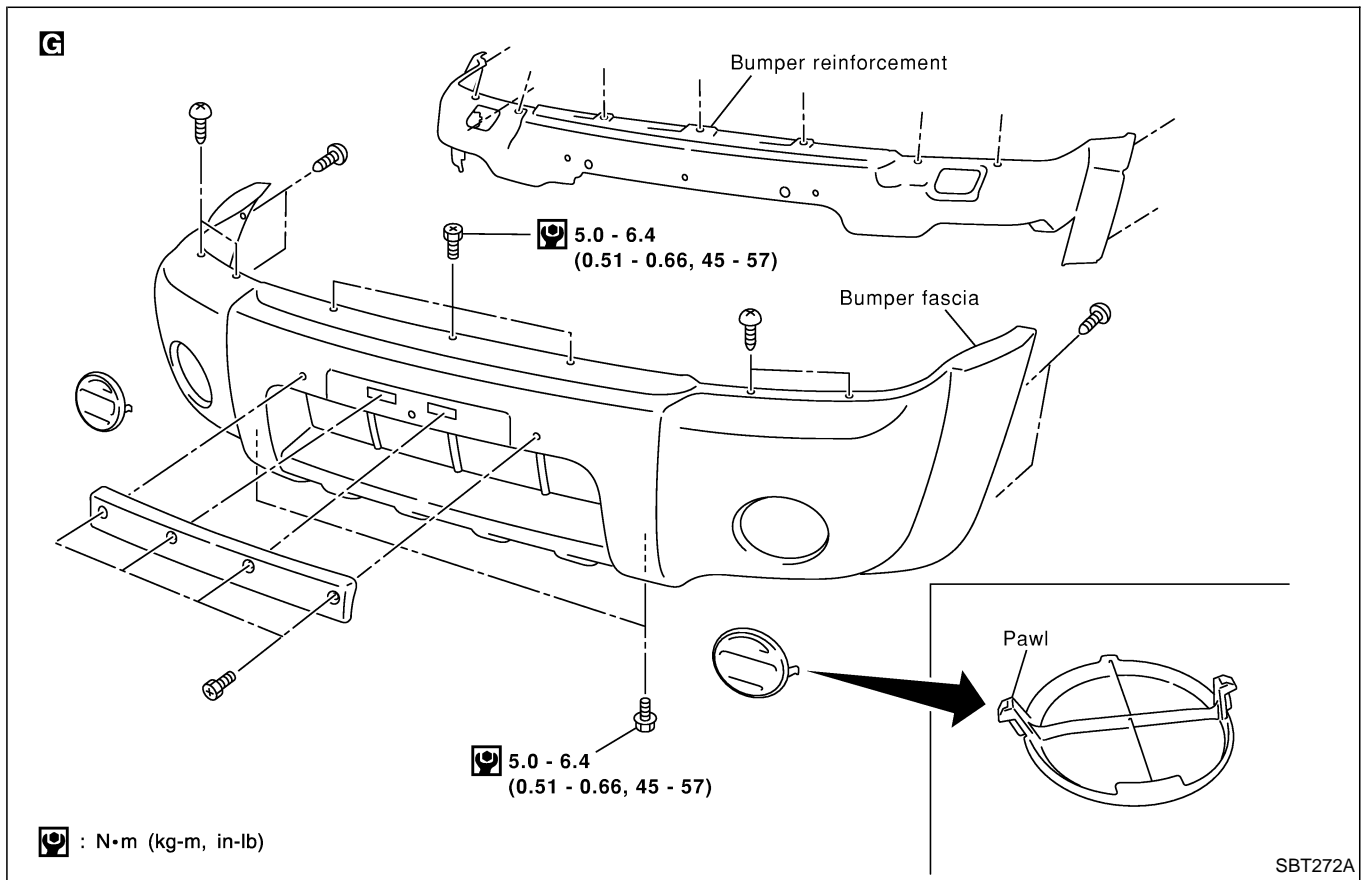


 : N•m (kg-m, ft-lb)

★ : Bumper assembly mounting bolts

BODY END

Body Front End (Cont'd)



GI
MA
EM
LC
EC
FE
CL
MT
AT
TF
PD
FA
RA
BR
ST
RS
BT
HA
EL
IDX

EXTERIOR

Over fender

