

# SECTION **EM**

## MODIFICATION NOTICE:

### TD series engine

- TD25 and TD25Ti engines without EGR systems have been added except for Europe. For specifications other than those described here, refer to the original Service Manual for each engine series.
- Service data and specifications (SDS) have been modified on TD25Ti engine.

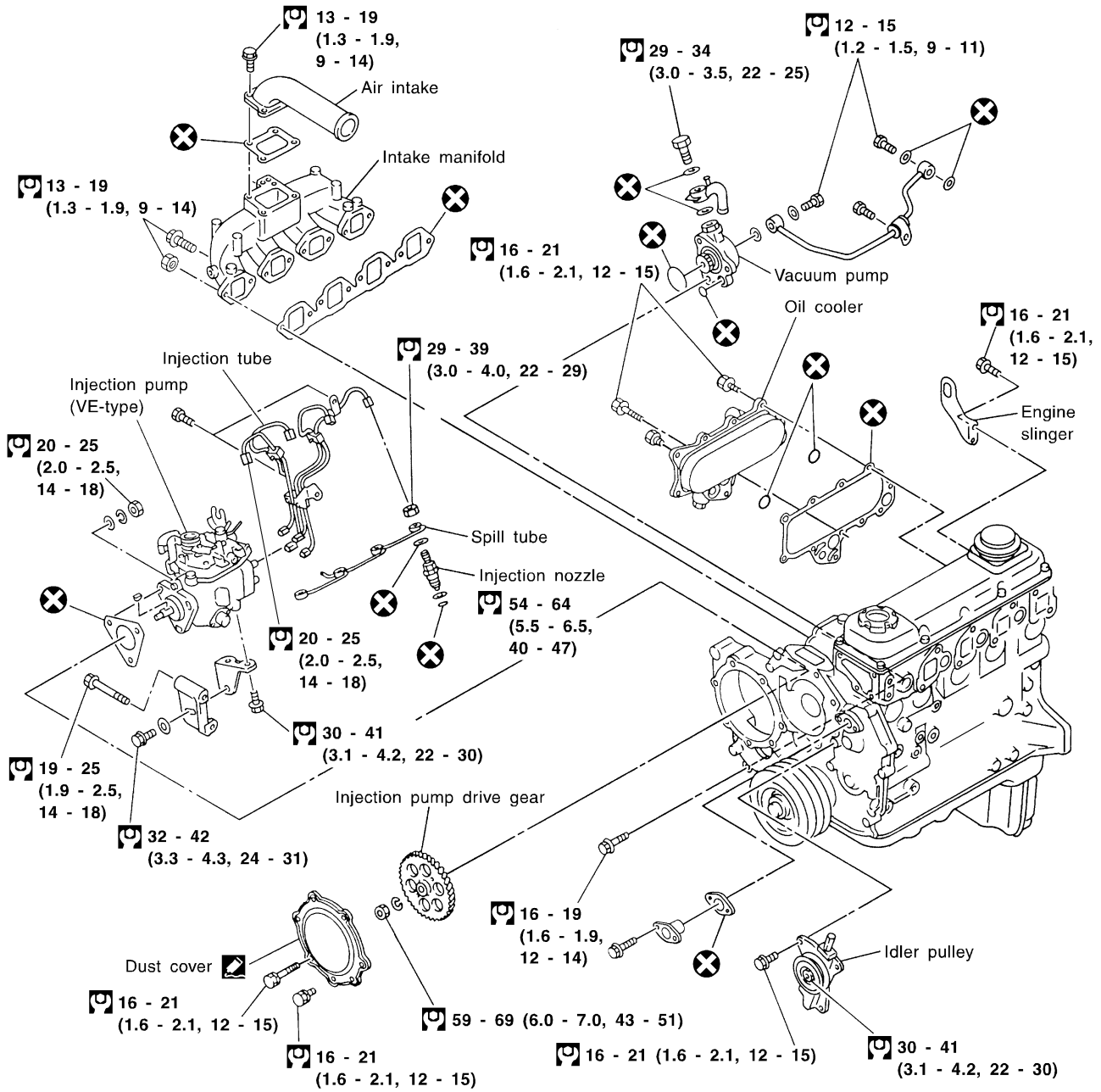
## CONTENTS

<input type="checkbox"/>	TD25	<input type="checkbox"/>
<b>OUTER COMPONENT PARTS</b> .....		2

<input type="checkbox"/>	TD25Ti	<input type="checkbox"/>
<b>OUTER COMPONENT PARTS</b> .....		4
<b>SERVICE DATA AND SPECIFICATIONS (SDS)</b> .....		6
Inspection and Adjustment .....		6

## MODELS WITHOUT EGR SYSTEM

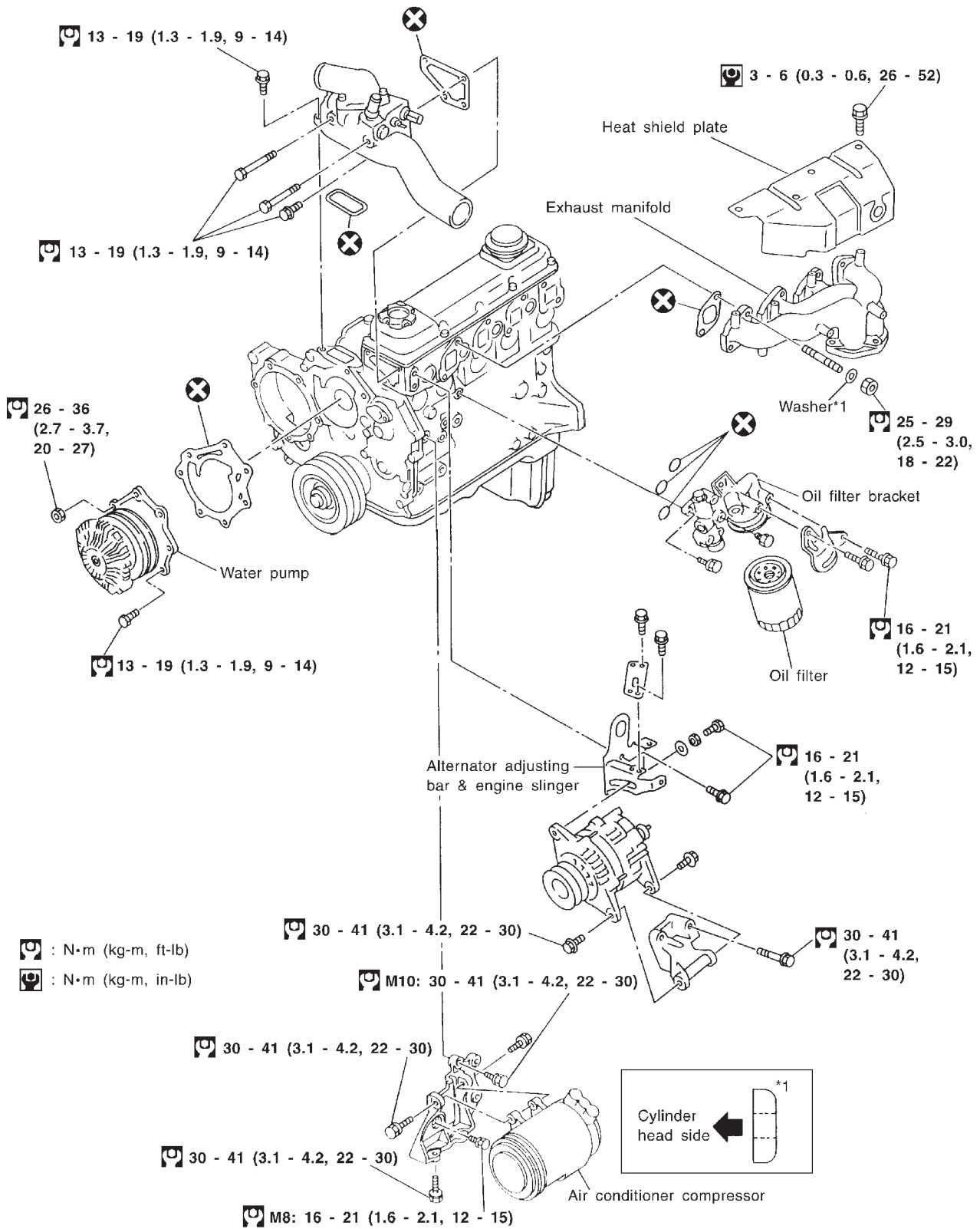
SEC. 135•140•150•185•186•213



- : N•m (kg-m, ft-lb)
- : Apply recommended sealant (Nissan genuine part: KP610-00250) or equivalent.

MODELS WITHOUT EGR SYSTEM

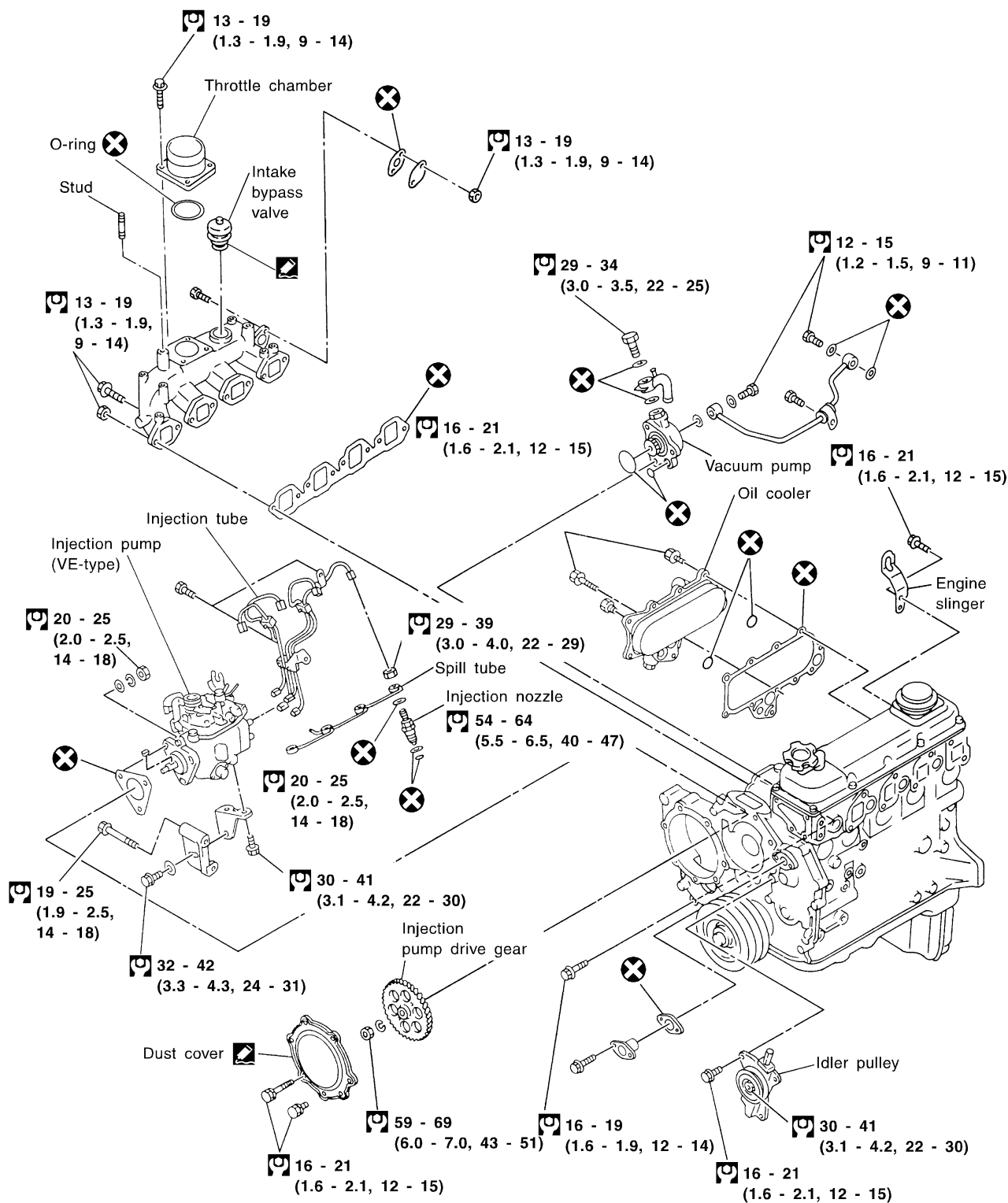
SEC. 140•150•268•230•275



GI  
MA  
EM  
LC  
EC  
FE  
CL  
MT  
AT  
TF  
PD  
FA  
RA  
BR  
ST  
RS  
BT  
HA  
EL  
IDX

## MODELS WITHOUT EGR SYSTEM

SEC. 135•140•185•186•213



: N•m (kg-m, ft-lb)

: Apply recommended sealant (Nissan genuine part: KP610-00250) or equivalent.

MODELS WITHOUT EGR SYSTEM

SEC. 140•144•150•230•275

GI

MA

EM

LC

EC

FE

CL

MT

AT

TF

PD

FA

RA

BR

ST

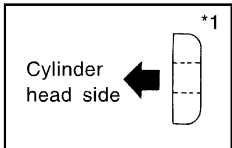
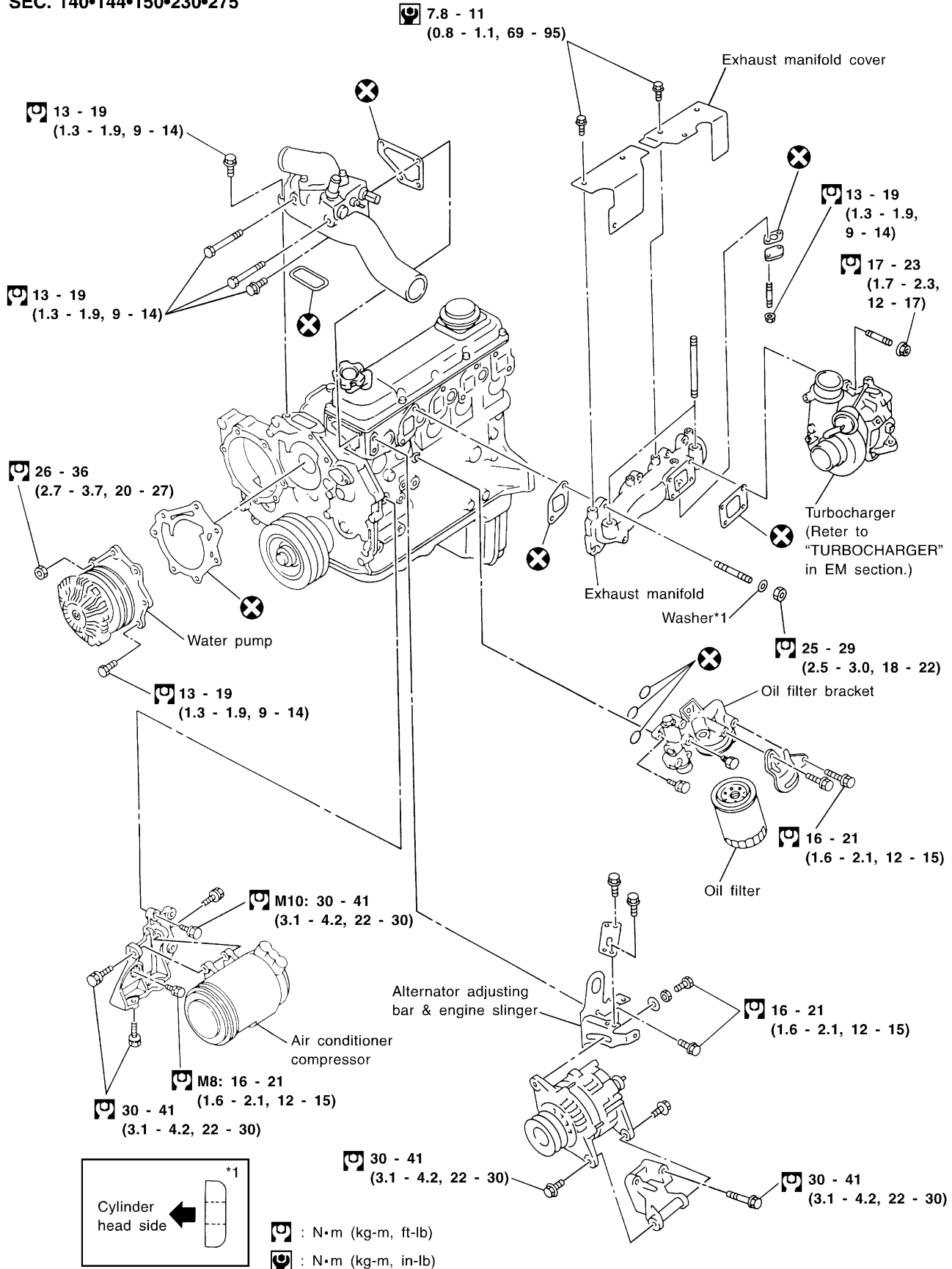
RS

BT

HA

EL

IDX



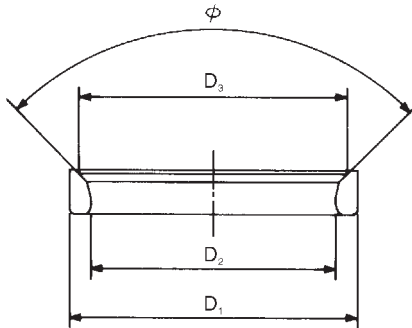
- : N•m (kg-m, ft-lb)
- : N•m (kg-m, in-lb)

Inspection and Adjustment

CYLINDER HEAD

Valve seat

Unit: mm (in)



SEM258F

Intake	
Outer diameter "D <sub>1</sub> "	42.550 - 42.560 (1.6752 - 1.6756)
Inner diameter "D <sub>2</sub> "	35.9 - 36.1 (1.413 - 1.421)
Diameter of seat "D <sub>3</sub> "	40.5 (1.594)
Cylinder head valve seat diameter	42.500 - 42.515 (1.6732 - 1.6738)
Valve seat face angle "ø"	89° - 90°