

HEATER & AIR CONDITIONER

GI
MA
EM
LC
EC
FE
CL
MT
AT
TF
PD
FA
RA
BR
ST
RS
BT
HA
EL
IDX

SECTION HA

MODIFICATION NOTICE:

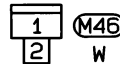
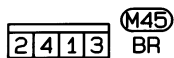
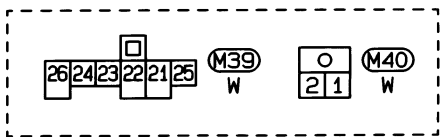
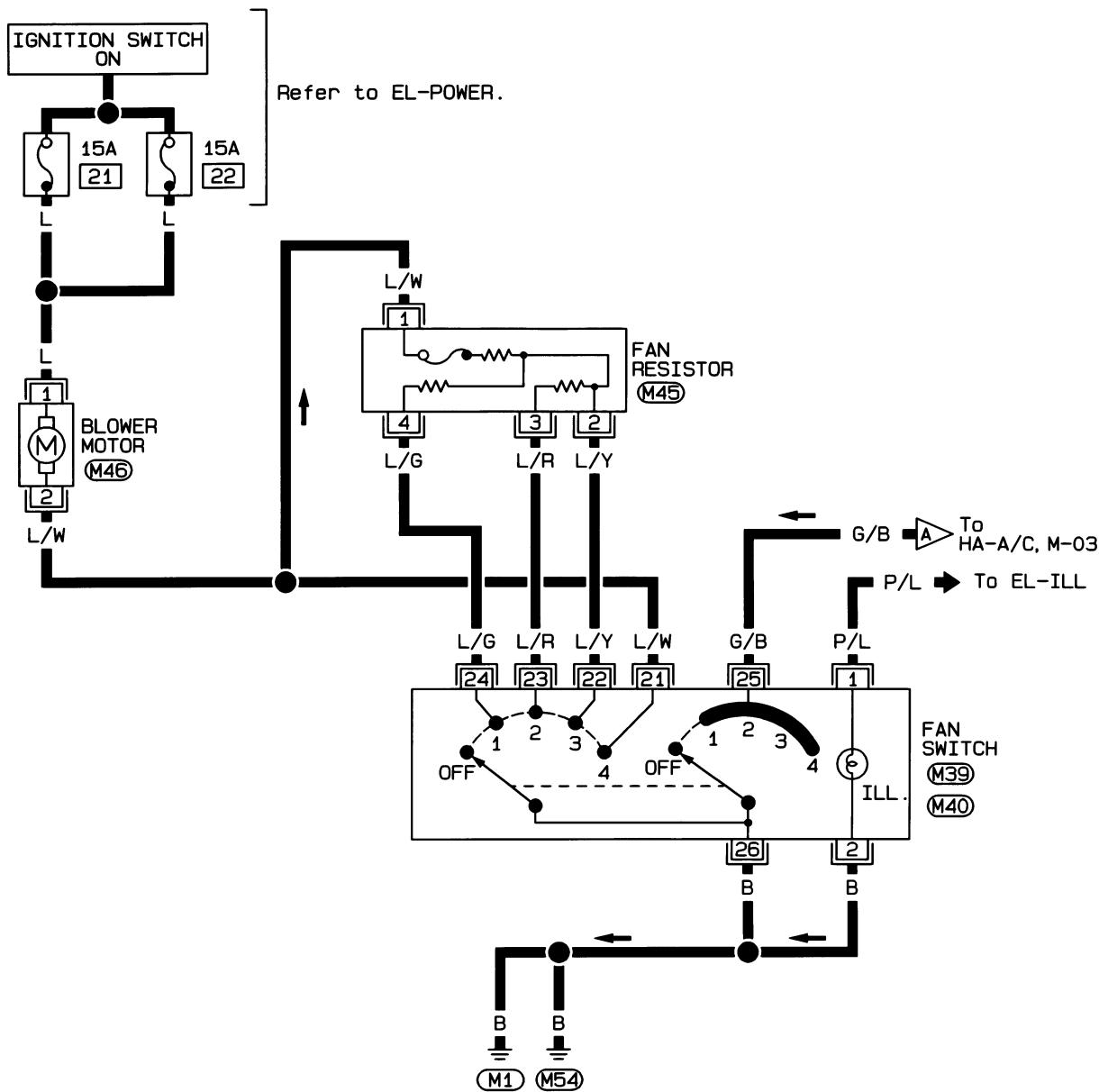
Wiring diagrams have been added.

CONTENTS

<input type="checkbox"/> MANUAL <input type="checkbox"/>	Wiring Diagram - A/C, M -/Except for KA Engine Models	2
TROUBLE DIAGNOSES		2

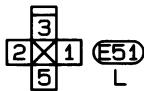
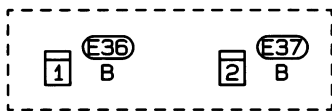
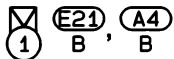
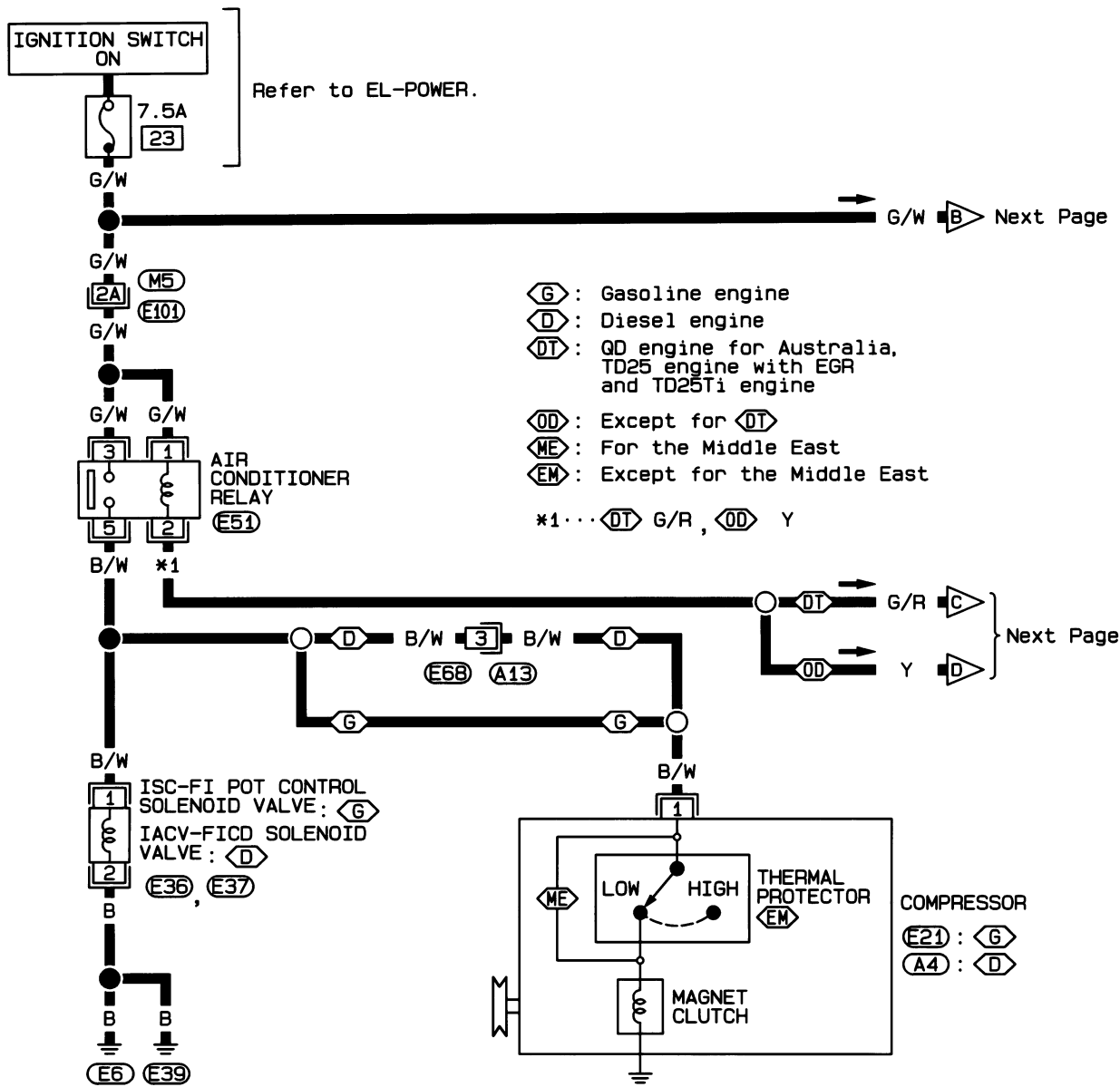
Wiring Diagram — A/C, M —/Except for KA Engine Models

HA-A/C, M-01



Wiring Diagram — A/C, M —/Except for KA Engine Models (Cont'd)

HA-A/C, M-02



Refer to last page (Foldout page).

M5, E101



GI
MA
EM
LC
EC
FE
CL
MT
AT
TF
PD
FA
RA
BR
ST
RS
BT
HA
EL
IDX

Wiring Diagram — A/C, M —/Except for KA Engine Models (Cont'd)

HA-A/C, M-03

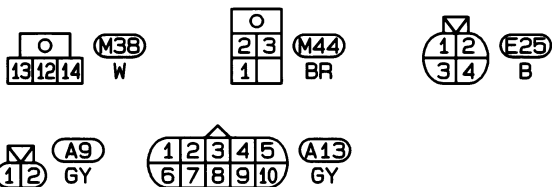
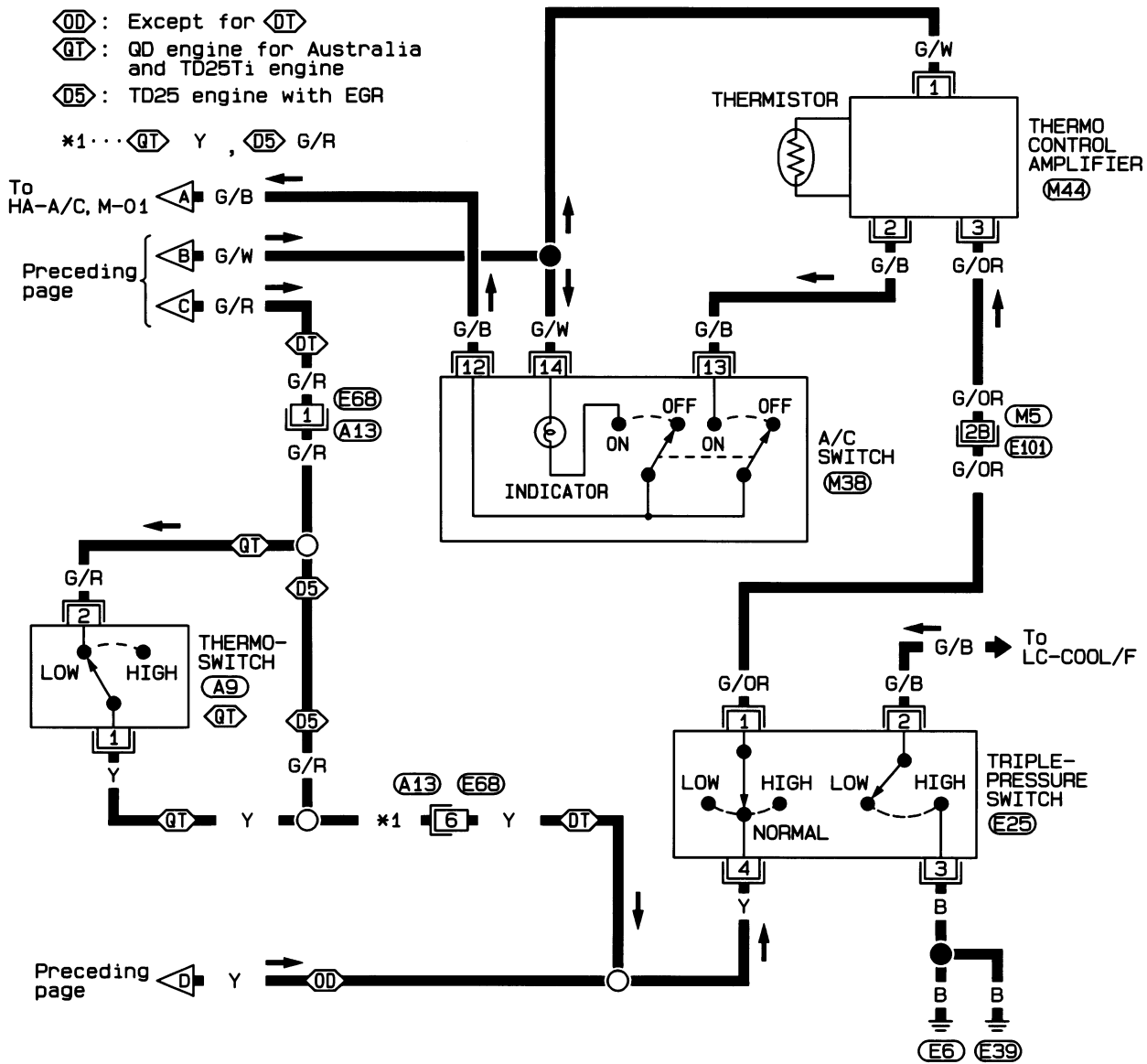
ⓄT: QD engine for Australia, TD25 engine with EGR and TD25Ti engine

ⓄD: Except for ⓄT

ⓄQ: QD engine for Australia and TD25Ti engine

Ⓞ5: TD25 engine with EGR

*1...ⓄQ Y, Ⓞ5 G/R



Refer to last page (Foldout page).

M5, E101